

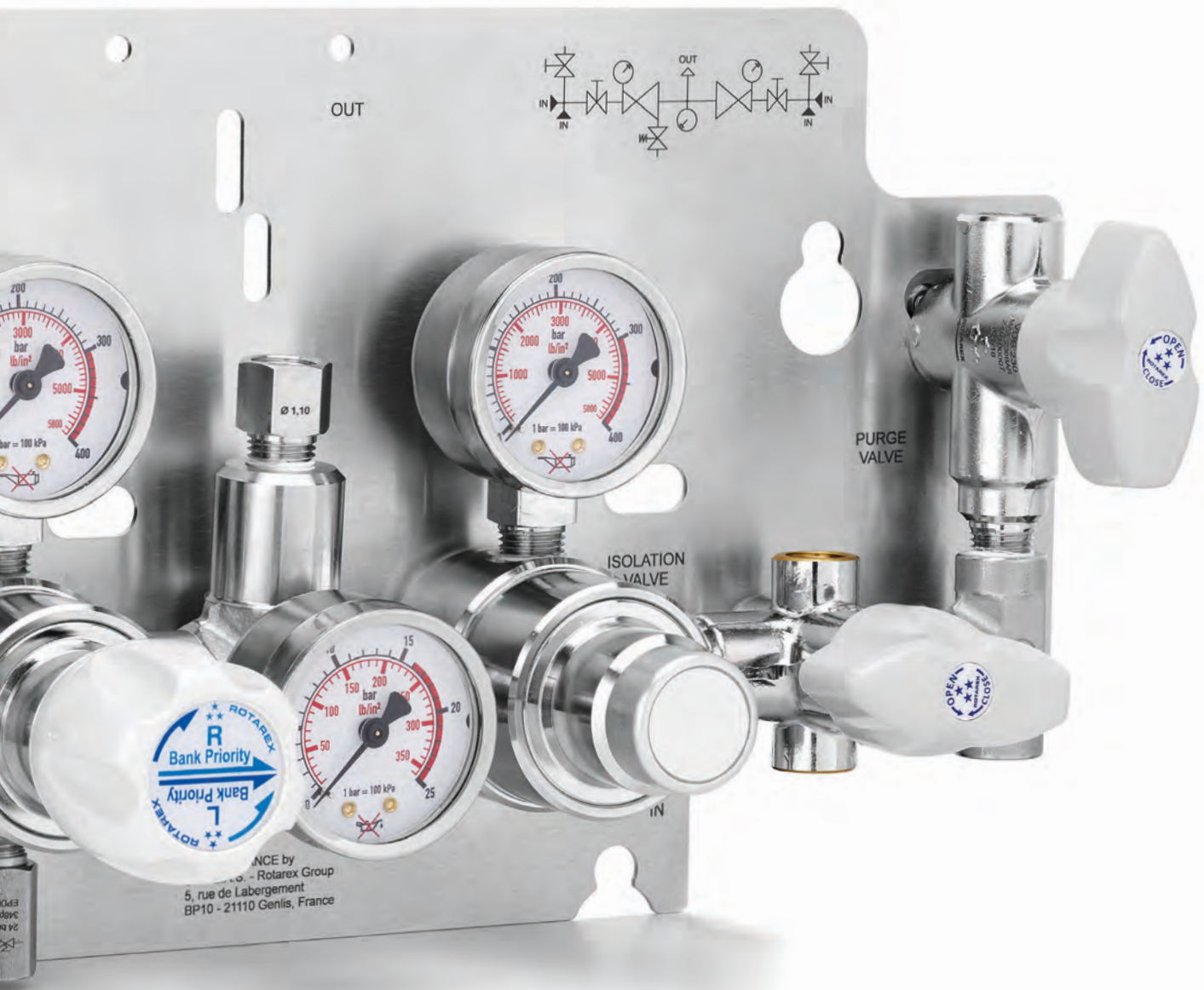
TEESING

WE MAKE YOUR TECHNOLOGY WORK



ROTAREX

VALVES - FITTINGS - REGULATORS



ANCE by
S - Rotarex Group
5, rue de Labergement
BP10 - 21110 Genlis, France

SUPPLY AND SWITCHOVER BOARDS
EUROPE

TABLE OF CONTENTS

| | |
|--------------------------------------|-------|
| PRODUCT RANGE OVERVIEW | P.004 |
| TECHNOLOGY OVERVIEW | P.006 |
| - Supply Boards | P.006 |
| - Switchover Boards | P.007 |
| - Quality Standards | P.009 |
| - Pressure Regulator Technology | P.010 |
| HOW TO CHOOSE A SUPPLY SYSTEM | P.012 |
| - Technical Parameters | P.012 |
| - Body Materials | P.013 |
| - Seat Materials | P.013 |
| - Inlet & Outlet Pressures | P.013 |
| - Gauges | P.013 |
| - Relief valves | P.014 |
| - Other product options | P.014 |
| - Cleaning | P.014 |
| PRODUCTS | P.016 |
| - Specialty gases | P.016 |
| · Supply Boards | P.016 |
| · Switchover Boards | P.026 |
| - Technical gases | P.040 |
| · Supply Boards | P.040 |
| · Switchover Boards | P.042 |
| - Accessories - Alarm Box | P.044 |
| - Accessories - Extension | P.046 |
| - Accessories - Pigtails | P.048 |
| - Accessories - Flexible Hose | P.049 |
| - Accessories - Duobloc | P.050 |
| - Accessories - Series VD | P.052 |
| - Accessories - Gas Cylinder Holder | P.053 |
| REFERENCE CHARTS | P.054 |
| - Gas compatibility table | P.054 |
| - Conversion tables | P.055 |



All Rotarex regulators are produced in Europe in accordance with international standards (ISO; CGA....) and are guaranteed to provide safe and reliable performance in operation. All locations are ISO 9001.

SPECIALTY GASES

SUPPLY BOARDS



CMC 280 P. 016
CMC 380

| | |
|------------------------|---|
| Technology | Diaphragm + Cartridge |
| Inlet Pressure | 230 / 300 bar 3335 / 4350 psig |
| Outlet Pressure | 10 / 16 / 35 / 50 bar 145 / 232 / 508 / 725 psig |
| Flow Rate | Up to 30 Nm ³ /h (N ₂) depending on outlet pressure |
| Material | Raw Brass Chrome-plated brass Stainless steel |



CM 280 - CM 380 P. 018

| | |
|------------------------|--|
| Technology | Diaphragm + Cartridge |
| Inlet Pressure | 200 / 300 bar 2900 / 4350 psig |
| Outlet Pressure | 10 / 16 / 35 bar 145 / 232 / 508 psig |
| Flow Rate | 10 / 20 / 30 |
| Material | Chrome-plated brass Stainless steel |



SERIES MOD P. 020

| | |
|------------------------|---|
| Technology | Diaphragm + Balanced Valve |
| Inlet Pressure | 200 / 300 bar 2900 / 4350 psig |
| Outlet Pressure | 10 / 16 / 30 / 50 bar 145 / 232 / 435 / 725 psig |
| Flow Rate | 200 bar: 70 / 110 / 150 / 180 300 bar: 50 / 70 / 100 / 130 |
| Material | Raw Brass Chrome Plated Brass |



SERIES CM 104 P. 022

| | |
|------------------------|--|
| Technology | Diaphragm |
| Inlet Pressure | 200 bar 2900 psig |
| Outlet Pressure | 10 / 25 / 50 bar 145 / 363 / 725 psig |
| Flow Rate | 10 / 10 / 50 |
| Material | Stainless steel |



SERIES CM 454 P. 024

| | |
|------------------------|-----------------------------------|
| Technology | Piston |
| Inlet Pressure | 200 / 300 bar 2900 / 4350 psig |
| Outlet Pressure | 160 bar 870 / 2320 psig |
| Flow Rate | 10 / 30 |
| Material | Chrome plated brass |

SWITCHOVER BOARDS



SERIES CC 284 / 384 P. 026

| | |
|------------------------|---|
| Technology | Diaphragm + cartridge |
| Inlet Pressure | 230 / 300 bar 3335 / 4350 psig |
| Outlet Pressure | 10 / 16 / 35 / 50 bar 145 / 232 / 508 / 725 psig |
| Flow Rate | Up to 25 Nm ³ /h (N ₂) depending on outlet pressure |
| Material | Raw brass Chrome plated brass Stainless steel |
| Change Over | Automatic switch with manual reset |



SERIES CC 283 / 383 P. 028

| | |
|------------------------|---|
| Technology | Diaphragm + cartridge |
| Inlet Pressure | 230 / 300 bar 3335 / 4350 psig |
| Outlet Pressure | 10 / 16 / 35 / 50 bar 145 / 232 / 508 / 725 psig |
| Flow Rate | Up to 25 Nm ³ /h (N ₂) depending on outlet pressure |
| Material | Raw brass Chrome plated brass Stainless steel |
| Change Over | Manual |



SERIES CC 285 / 385 P. 030

| | |
|------------------------|---|
| Technology | Diaphragm + cartridge |
| Inlet Pressure | 230 / 300 bar 3335 / 4350 psig |
| Outlet Pressure | 1.5 / 5.5 / 10 bar 22 / 80 / 145 psig |
| Flow Rate | 10 Nm ³ /h (N ₂) depending on outlet pressure |
| Material | Raw brass Chrome plated brass Stainless steel |
| Change Over | Automatic switch with manual reset with integrated line regulator |



SERIES CEN P. 032

| | |
|------------------------|---|
| Technology | Diaphragm + Balanced Valve |
| Inlet Pressure | 200 / 300 bar 2900 / 4350 psig |
| Outlet Pressure | 10 / 16 / 30 / 50 bar 145 / 232 / 435 / 725 psig |
| Flow Rate | 200 bar: 70 / 110 / 150 / 180 300 bar: 50 / 70 / 100 / 130 |
| Material | Raw Brass Chrome Plated Brass |
| Change Over | Automatic switch with manual reset |



SERIES TD 102 P. 034

| | |
|------------------------|--|
| Technology | Diaphragm |
| Inlet Pressure | 200 bar 2900 psig |
| Outlet Pressure | 10 / 25 / 50 bar 145 / 363 / 725 psig |
| Flow Rate | 10 / 10 / 50 |
| Material | Stainless steel |
| Change Over | Automatic switch with manual reset |



SERIES TD 202 P. 036

| | |
|------------------------|--|
| Technology | Diaphragm |
| Inlet Pressure | 200 / 300 bar 2900 / 4350 psig |
| Outlet Pressure | 10 / 16 bar 145 / 232 psig |
| Flow Rate | 10 / 10 |
| Material | Chrome plated brass Stainless steel |
| Change Over | Automatic switch with manual reset |



SERIES TD 502 P. 038

| | |
|------------------------|--|
| Technology | Diaphragm + Balanced Valve |
| Inlet Pressure | 200 bar 2900 psig |
| Outlet Pressure | 10 / 25 / 50 145 / 363 / 725 psig |
| Flow Rate | 50 / 50 / 100 |
| Material | Chrome Plated Brass Stainless steel |
| Change Over | Manual |

TECHNICAL GASES

SUPPLY BOARDS



SERIES MOD P. 040

| | |
|------------------------|---|
| Technology | Diaphragm + Balanced Valve |
| Inlet Pressure | 200 / 300 bar 2900 / 4350 psig |
| Outlet Pressure | 10 / 16 / 30 / 50 bar 145 / 232 / 435 / 725 psig |
| Flow Rate | 200 bar: 70 / 110 / 150 / 180 300 bar: 50 / 70 / 100 / 130 |
| Material | Raw Brass Chrome Plated Brass |

SWITCHOVER BOARDS



SERIES CEN P. 042

| | |
|------------------------|---|
| Technology | Diaphragm + Balanced Valve |
| Inlet Pressure | 200 / 300 bar 2900 / 4350 psig |
| Outlet Pressure | 10 / 16 / 30 / 50 bar 145 / 232 / 435 / 725 psig |
| Flow Rate | 200 bar: 70 / 110 / 150 / 180 300 bar: 50 / 70 / 100 / 130 |
| Material | Raw Brass Chrome Plated Brass |
| Change Over | Automatic switch with manual reset |

ACCESSORIES



BA 12 ALARM BOX P. 044



EXTENSIONS P. 046



PIGTAILS P. 048



FLEXIBLE HOSES P. 049



DUOBLOC P. 050



SERIES VD P. 052



GAS CYLINDER HOLDER P. 053

TECHNOLOGY OVERVIEW

SUPPLY BOARDS

A **supply board** is used in a central gas supply system in order to reduce the cylinder pressure to an appointed secondary pressure. The supply board will then supply a stable pressure to line regulators or points of use.

A supply board can be considered like a simplified switchover board (without the continuous gas supply from several high-pressure sources).

Most of our supply boards have 3 common inlets available. This avoids installation of extensions and increases safety of the installation. Our products exist in raw brass, chrome plated or stainless steel. The installed regulators are coming from our standard product range.



TECHNOLOGY OVERVIEW (continued)

SWITCHOVER BOARDS

Rotarex switchover boards can make your source management easier. Our first target is to make your installation safer, easier-to-control and to help you improve cost productivity.

SAFETY:

- DUOBLOC: 4-6 cylinder connections possible w/o extension - to improve the global system tightness of the process and reduce leakage points. Also, with the DUOBLOC concept you can purge independently each side. The purge can also be collected.
- RELIEF VALVE: all supply and switchover boards are standardly equipped with a relief valve (one on semi-automatic version, 2 on fully automatic version).
- INVERTER (full automatic)/BYPASS DESIGN (semi automatic): Its design avoids gas flow into the other side.
- Dedicated pressure gauges (HP and LP). Contact gauges could also be mounted in order to connect to an alarm box.
- With installation of a gas monitoring system, you can easily check your gas consumption from your desk.

EASE OF HANDLING:

- Easy access of purging and isolation valve.
- Easy installation with all components pre-mounted on an Omega plate.
- All components for service are easily accessible.

LOWER OPERATING COSTS:

- A continuous gas supply to the process means less production interruptions or unplanned disruption to change gas cylinders.
- Larger cylinders together = fewer cylinders = lower rental charge, less transportation charge, better cylinder management.
- Grouping all cylinders in one location means also space saving in production area or in lab which are very expensive surfaces.

MANUAL SWITCHOVER BOARDS

A **manual switchover board** reduces the cylinder pressure to an appointed secondary pressure and insures gas supply from different high-pressure sources. It ensures a safe cylinder replacement.

When one high-pressure supply source is in service, the other is in reserve.

When the service source is empty, the operator must change the service side to the reserve side manually when changing the empty cylinder



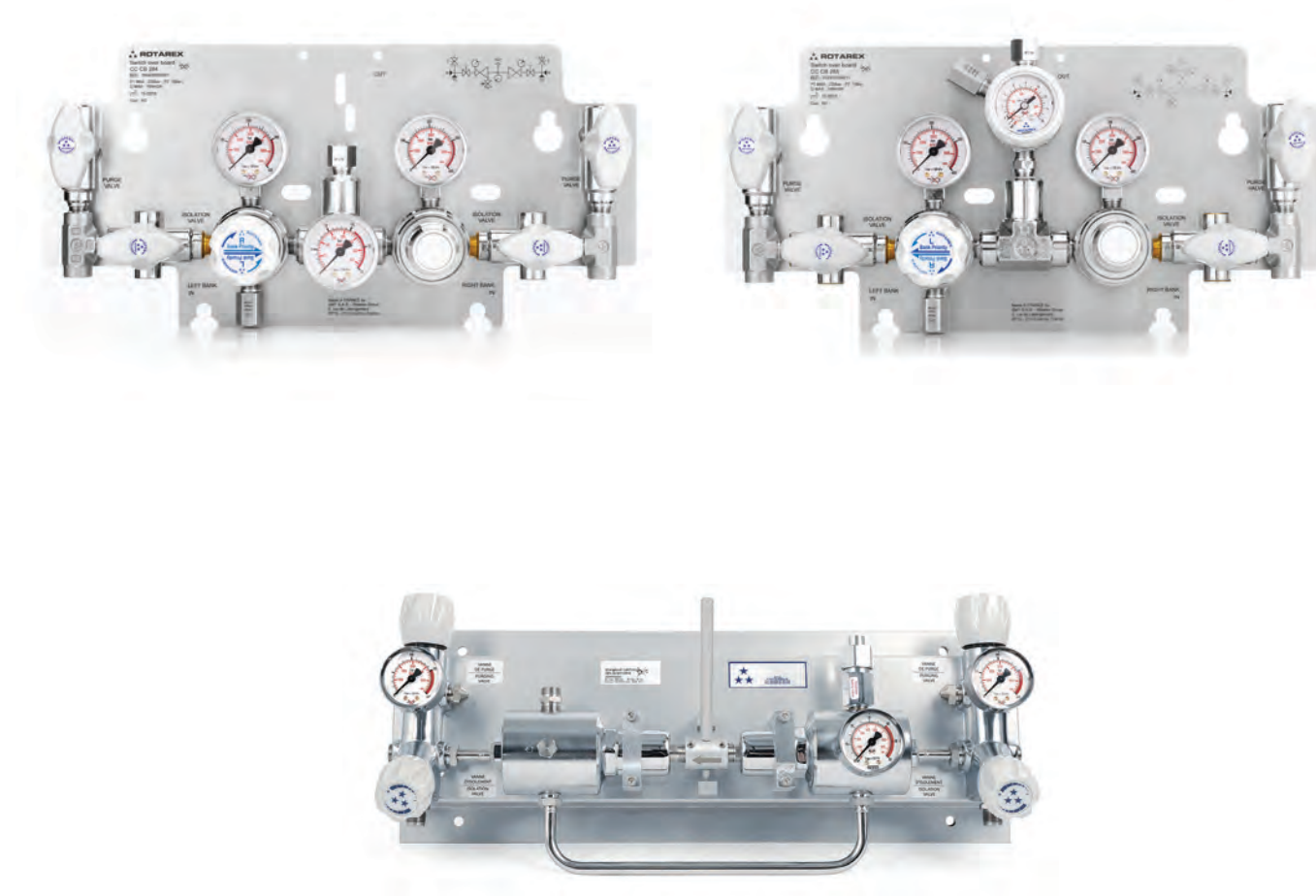
TECHNOLOGY OVERVIEW

AUTOMATIC SWITCHOVER BOARD WITH MANUAL RESET

An **automatic Switchover board with manual reset** is a system which provides a continuous gas supply to the piping system. One source of gas is used as the primary source, while a second source is held in reserve.

When the primary source reaches a predetermined pressure, the reserve supply automatically begins to supply gas to the system.

Once the Switchover occurs and primary source is replaced, the Switchover board is reset, such that the reserve supply supplying gas is now designated as primary source and the secondary source is now held in reserve. The empty cylinder can be replaced without interrupting the gas flow.



TECHNOLOGY OVERVIEW (continued)

PREMIUM QUALITY FOR BETTER PERFORMANCE

All our regulators are designed respecting the EN ISO 2503. The production of the regulator is certified according to ISO 9001. Also external audits from customers help us to improve continually our products. This strategy is also applied on our supplier base which is working very closely with us in order to reach new standards and new performance.

In order to fulfil the customer expectations regarding quality, Rotarex implements state-of-the-art quality management practices used in the automotive industry in order to stay Best In Class.

During the production of your regulator we have several control steps in order to provide you the best quality:

- Supplier Audit in order to control that they fulfill our standards
- 100% cleaning of all parts to O₂ standards
- Steaming of some specific components
- Measurement control of parts coming from the production
- 100% Helium leak test
- 100% functional test

Most of the supply and Switchover boards produced by Rotarex are designed for applications with gas purity up to 6.0 with a leak rate of 10⁻⁸ mbar l/s of helium.

FLOW MEASUREMENTS

Flow curves are based on the ISO EN 2503 Norm. The nominal flow are specified for the nominal inlet pressure with the regulator set at the nominal outlet pressure. The outlet flow will then decrease when the regulator is set at a lower outlet pressure than the nominal one.

For specific applications, do not hesitate to contact us to get the exact flow at the designed values.

SERVICE

In order to prevent possible contamination, we recommend that the operator performs a purging after the cylinder change. This maintenance step will help remove moisture, air and other impurities from the system before introduction of gas into the process. This maintains a constant purity in the circuit.

For some products like our supply/ Switchover boards, it is recommended to perform an annual maintenance in order to prevent wearing of some components. Our customer service team remains at your disposal to supply special spare parts.

SAFETY

All products are tested under pressure and also leak-tested before shipment. Our high pressure regulators are also equipped with relief valves in order to prevent any damage of the regulator.

Important notice: the relief valve fitted on our regulators will only protect the regulator in case of accident and cannot be used to protect the down stream process. When it is needed to protect the down stream process, use a CE relief valve on the pipe work.

It is also possible to collect the purge on our equipment in order to avoid any gas dispersion in the atmosphere when using toxic gas.

TECHNOLOGY OVERVIEW (continued)

PRESSURE REGULATOR TECHNOLOGIES

Rotarex Supply Panels and Switchover Panels use 3 main pressure regulator technologies to achieve a stable and reliable pressure regulation:

BALANCED VALVE

- Best-in-class pressure stability
- Minimizes the effect of inlet pressure fluctuations on outlet pressure
- Increases regulator lifetime and reduces cost of ownership by reducing seat effort
- Diaphragm technology only

DIAPHRAGM

- Our most-used technology (cylinder regulation, line, supply panel...)
- Compact design
- Good precision

PISTON

- Stable outlet flow
- Used for regulator where the pressure outlet is close to the inlet pressure

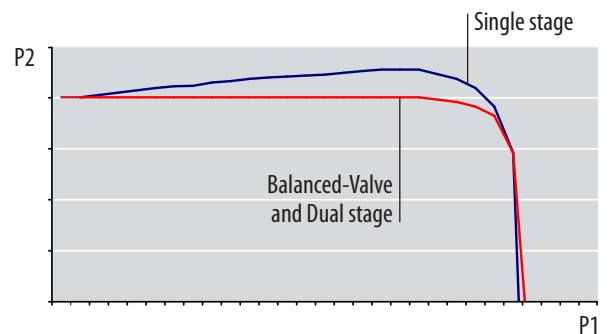
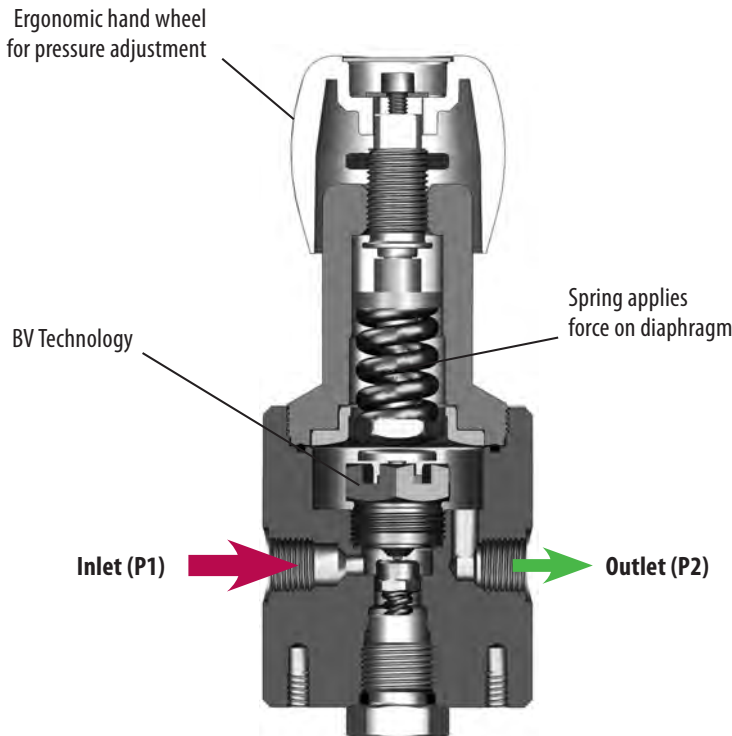
BALANCED VALVE TECHNOLOGY

Our **Balanced-Valve Technology regulator** gives you dual stage regulator performance in a single stage design. Due to its proprietary design, it is able to balance the internal forces within the regulator and compensates for the pressure fluctuation on the inlet. It provides a constant outlet pressure like a dual stage regulator but with a lower total ownership cost.

Switchover boards equipped with this technology don't need any line regulator afterwards and can be connected directly to the application.

PRODUCT FINDER

| | |
|--|--------|
| ROTAREX supply boards using BV technology | |
| Series MOD | P. 020 |
| Series CM 504 | P. 028 |
| ROTAREX switchover boards using BV technology | |
| Series CEN | P. 030 |
| Series TD 500 | P. 040 |

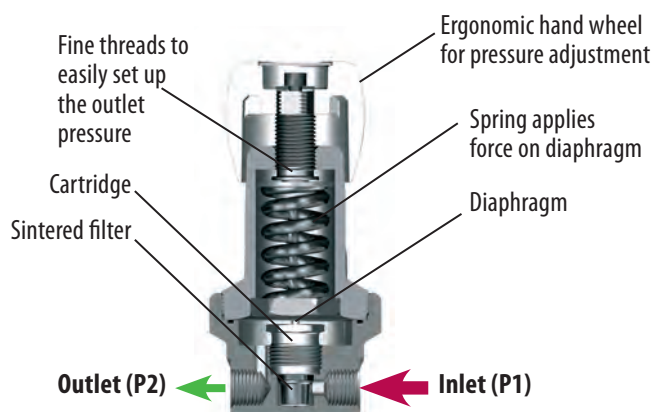


TECHNOLOGY OVERVIEW (continued)

CARTRIDGE REGULATOR

Superior technical performance with cartridge technology:

- Better outlet pressure stability due to the cartridge design. Outlet pressure remains stable despite any fluctuation of inlet pressure.
- Longer product life due to less impingement on the diaphragm.
- Compact design with reduction of dead volume (minimal purge requirements)
- Sintered inlet filter provides better filtration without restricting flow.

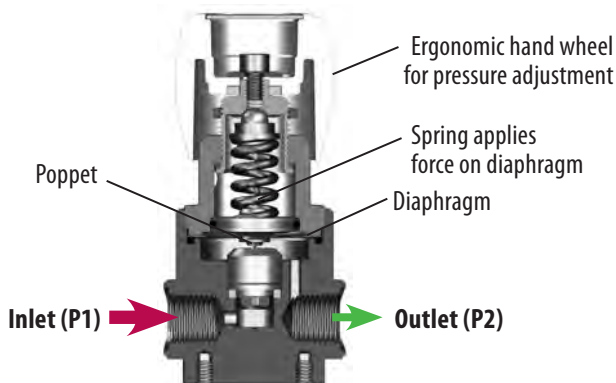


PRODUCT FINDER

ROTAREX supply boards using cartridge technology

| | |
|-------------------|--------|
| Series CM 280/380 | P. 018 |
|-------------------|--------|

DIAPHRAGM REGULATOR



PRODUCT FINDER

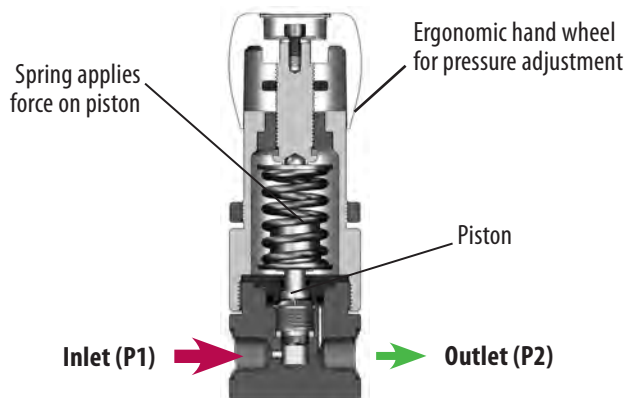
ROTAREX supply boards using diaphragm technology

| | |
|------------------|--------|
| Series CM 104 | P. 022 |
| Series CM 104 UC | P. 024 |

ROTAREX switchover boards using diaphragm technology

| | |
|------------------|--------|
| Series TD 100 | P. 032 |
| Series TD 102 UC | P. 034 |
| Series TD 200 | P. 036 |

PISTON REGULATOR



PRODUCT FINDER

ROTAREX supply boards using piston technology

| | |
|-------------------|--------|
| Series CM 245/454 | P. 026 |
|-------------------|--------|

SELECTING THE RIGHT SUPPLY SYSTEM

To choose the right supply solution for your application and get the best results, you should identify the following technical parameters:

| TECHNICAL PARAMETER | EXAMPLE |
|--------------------------------|--|
| Gas | Inert, flammable, oxidizing, corrosive, toxic |
| Purity | UHP, HP, industrial, medical, diving |
| Nominal inlet pressure | Bar or psig |
| Nominal outlet pressure | Bar or psig |
| Nominal flow (N ₂) | Nm ³ /h, Nlpm, Slpm or SCFM |
| Single stage or dual stage ? | Dual stage or BV Technology are needed where pressure stability is essential |
| Product | Regulator, point of use, supply board, switchover board |
| Material | Brass, chrome plated brass, stainless steel |
| Inlet connection | Country of use, standard, connection |
| Outlet connection | G 3/8, 1/4 NPT, male, female, special |
| Gauges | Low pressure, high pressure, sliding, inductive |
| Safety device | Yes/no |
| Vacuum | Yes/no |
| Application | Food, electronic, medical, welding, industrial, diving... |
| Outdoor or indoor use | Environment |
| Temperature range | -20°C to +60°C / -4° F to +140°F |
| Atex use | Yes/no |
| Preset outlet pressure | If yes, which pressure ? |
| Marking | CE, TPED, PI |

Each product page is designed to provide you the essential technical information at a glance:

SERIES CM 104 | SUPPLY BOARD

GENERAL

- Diaphragm single Stage
- Purity up to 6.0
- Inlet Pressure: 200 bar (2900 psi)
- Outlet Pressure: 10/25/50 bar
- Pressure: 145/36/7/2 psig
- Accessories (N₂) version: FI = 8 bar (116 psig) FI = 3 bar (43.5 psig)
- 1 double
- 3 inlet/1 outlet
- Inlet/outlet pressure gauges
- Safety relief valve
- Emergency outlet
- Equipped with SI 22019

APPLICATIONS

- Used in combination with a switch-over board for the regulation of the emergency source during maintenance at the principal source. This avoids installing some extension and reducing the amount of tubing points.
- Suited for pure and corrosive gases for high purity applications - specifically dedicated to the supply of gas to analyzers and to the creation of controlled atmosphere in laboratories, control units.

GENERAL

- Possible to connect 2 gas cylinders and a gas purging operation (up to 3 cylinders without any extension - without using the purge-line).
- Ready to install with all components pre-mounted on a board.
- Can be equipped with a collection tube on the safety relief valve and purge outlet.
- Also can be equipped with an outlet shut-off valve.
- The CM 104 can be connected to an alarm box using contact gauges.
- N₂ version available.
- FI = 8 bar (FI = 3 bar) Q = 5 Nm³/h.

SPECIFICATIONS

| | | | | | |
|--------------|--|-------------------|--------------------------------|-----------------|--|
| Flange parts | 6% Ni (inlet/outlet), 6% Ni NPT (inlet/outlet) | Weight | ≈ 4.2 lbs ≈ 9.5 lbs | Inlet pressure | 200 bar (2900 psi) ≈ 9.5 bar (138 psi) |
| Seat seal | PTFE | Leak rate | 10 ⁻⁷ mbar L/s | Outlet pressure | 10/25/50 bar |
| Diaphragm | EPDM - standard, NBR, PTFE (Safety relief valve) | Temperature range | -20°C to +60°C / -4° to +140°F | Nominal flow | 10/25/50 Nm ³ /h, 1/3 bar (43.5 psig), 10/25 Nm ³ /h (N ₂), 5 Nm ³ /h (N ₂) |
| Gauges | High and low pressure (0/10 to 0/10 NPT) | Diaphragm | ACS 304, Hastelloy (30 bar) | Druggable | No |

FLOW CURVES

Two graphs showing pressure drop vs. flow rate for different configurations. The left graph is for 'FLOW CURVE 104-104 REGULATOR' and the right is for 'FLOW CURVE 104-104 PRESSURE'. Both graphs show pressure drop increasing with flow rate, with different curves for various outlet pressures and configurations.

PRODUCT CONFIGURATOR

| Body Material | Outlet Pressure | Inlet Connection | Inlet Material (inlet/outlet) | Gauges | Outlet Valve | Configuration |
|---------------|-----------------|------------------|-------------------------------|-------------------------------------|--|---|
| Standard | 10 bar | 6% Ni | 6% Ni | with gauges standard | 1 without outlet shut-off valve (Standard) | MV standard configuration A |
| Steel | 15 bar | 6% Ni female | 6% Ni | with HP inductive contact gauge | 2 with outlet shut-off valve | "Inert" version disabled on right side B |
| | 25 bar | 6% Ni female | NBR | with HP sliding contact gauge | 3 | with connected purge and safety valve CL |
| | 50 bar | 6% Ni female | EPDM | with LP inductive contact gauge | 4 | "Inert" with connected purge and safety valve BCL |
| | 125 bar | 6% Ni female | EPDM | with LP sliding contact gauge | 5 | |
| | 145/36/7 psig | 6% Ni female | EPDM | with HP & LP sliding contact gauges | 6 | |

SELECTING THE RIGHT SUPPLY SYSTEM (continued)

BODY MATERIALS

Most Rotarex Supply and Switchover Boards are available in stainless steel 316L or chrome plated brass, and on some models, raw brass or aluminium. Which material is best for your installation?

Stainless steel 316L: The recommended option for corrosive gases and high-purity applications due to its superior resistance, non-reactivity, exceptional durability and high-surface finish properties. It is compatible with most gas types and low-velocity oxygen applications.

Rotarex uses stainless steel type 316L, an austenitic chromium nickel stainless steel containing Molybdenum. It offers:

- Exceptional corrosion resistance - particularly against sulfuric, hydrochloric; acetic, formic and tartaric acids, acid sulfates and alkaline chlorides
- resistance to pitting from chloride-ion solutions
- outstanding strength even at elevated temperatures

Chrome plated or Raw Brass: The most commonly used material for industrial and high velocity oxygen applications due to its cost effectiveness versus stainless steel, good strength, resistance and low-friction flow properties.

Need more information? You can find more detail about optional, materials on our website. Additionally, one of our material engineers would be happy to discuss the pros and cons of each option to help you choose the best solution.

www.rotarex.com



Gas Compatibility: Make sure the body material is compatible with the gas type you will be using. Consult the gas compatibility reference chart on page 62.

O-RING MATERIALS

For many regulators, a choice of O-ring materials is available:

- EPDM: Ethylene Propylene Rubber
- NBR: Nitrile Butadiene Rubber
- FPM: Fluorocarbon Rubber
- PTFE: Polytetrafluoroethylene (cartridge)



Gas Compatibility: Make sure the O-ring material is compatible with the gas type you will be using. Consult the gas compatibility reference chart on page 62.

INLET/OUTLET PRESSURES

Different models are designed for different inlet and outlet pressure performance. The available options are clearly indicated on each product page. Please specify which inlet and outlet pressure when ordering. We can also accommodate special requests.

PRESSURE GAUGES

Most Rotarex supply and switchover boards are equipped with a choice of pressure gauges. High Pressure and/or Low Pressure - and sliding or induction versions. Check the product configurator table on each product page.

SELECTING THE RIGHT SUPPLY SYSTEM (continued)

RELIEF VALVE

Relief valves are standard on most Rotarex supply and switchover boards as a safety best practice.

SEAL MATERIAL

For all cartridge regulators the seat seal is PCTFE which provides a wide chemical compatibility, good temperature resistance, and better dimensional stability than traditional seals.

DIAPHRAGM MATERIAL

All cartridge regulators are equipped with a Hastelloy® diaphragm, which is ideally adapted to high purity applications and is compatible with all types of gases, and has exceptional elasticity and high corrosion resis-

tance. Consequently, this diaphragm outperforms traditional stainless steel diaphragms in terms of pressure stability and long cycle lifetime.

FILTER MATERIAL

Rotarex cartridge regulators employ a Sintered Filter in 316L for the stainless steel and bronze for brass version.

The function of this filter is to protect the regulator against foreign particle coming from the gas or during installation. In any case a filter has to be installed on the line based on your cleanliness requirements.

OTHER PRODUCT OPTIONS

Some product solutions have additional options specific to their unique application, such as contact gauges, outlet valves, configuration... etc.

These options are clearly indicated on the product configuration table on each product page.

SERIES CM 104 SUPPLY BOARD

APPLICABLE TO: High purity gas supply, Laboratory, Medical, Industrial, etc.

GENERAL: Double construction with stainless steel body for the regulation of the most aggressive gases during continuous or intermittent use. The result of this design is a high level of safety and reliability.

FEATURES:

- Double construction
- Stainless steel body
- High purity gas supply
- High pressure safety
- High flow capacity
- High reliability

SPECIFICATIONS:

| | | | |
|----------|----------------------|-------------|----------------------|
| Weight | 4.1 kg | Material | 316L stainless steel |
| Material | 316L stainless steel | Seal | PCTFE |
| Flow | High flow capacity | Temperature | 20°C to 100°C |
| Safety | High safety | Pressure | 0 to 10 bar |

FLOW CURVES: Graphs showing flow rate vs. pressure drop for different gas types.

PRODUCT CONFIGURATION: Table with columns for options like 'Relief Valve', 'Filter', 'Gauges', etc., with checkboxes for selection.

CLEANING

All products, regardless of gas application, are cleaned to remove all traces of residue and grease using the same procedures as for O₂ use. There is no need to specify special cleaning when ordering.

Important notice: the safety relief valve fitted on our regulators will only protect the regulator in case of accident and cannot be used to protect

the down stream process. When it is needed to protect the down stream process, use a CE relief valve on the pipe work.

SERIES CMC 280 / CMC 380 | SUPPLY BOARD

- Cartridge single stage
- Purity up to 6.0
- Inlet pressure:
230 bar (3335 psig)
or 300 bar (4350 psig)
- Outlet pressure:
10 / 16 / 35 / 50 bar
145 / 232 / 508 / 725 psig

- ★ Inlet/outlet pressure gauges
- ★ 1 relief valve
- ★ 1 purge outlet
- ★ O₂ compatible (see technical data)
- ★ Regulator with cartridge technology

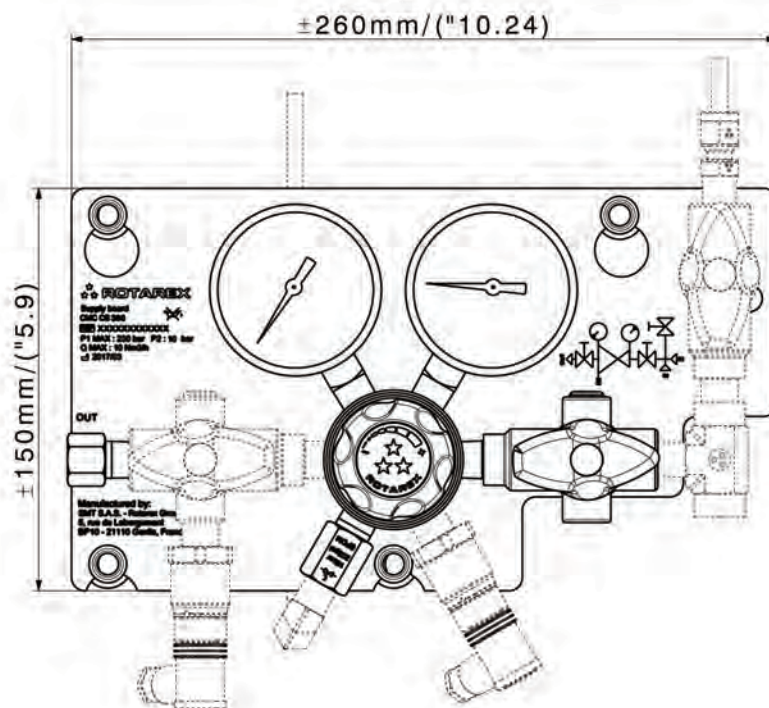
Special requirements on request

APPLICATIONS

- Ideally suited for pure and corrosive gases for high purity applications dedicated to the supply of gas to analyzers and to the creation of controlled atmosphere in laboratories, control units, and for petrochemical applications where high flows are required
- Used in combination with a switchover board for the regulation of the emergency source during maintenance on the principal source. This avoids installing some extension and reducing the amount of leaking points

KEY FEATURES

- Ready to install with all components pre-mounted on a board.
- Best-in-class pressure stability with Cartridge Technology: the effect of inlet pressure fluctuations on outlet pressure are minimized. Cartridge Technology enables the delivery of a very stable outlet pressure and flow even with high flow line regulators.
- Cartridge technology increases regulator life and reduces ownership costs.
- Can be equipped with a collection tube on the relief valve and purge outlet.
- Can also be equipped with an outlet shut-off valve.
- The CMC 280 / CMC 380 can be connected to an alarm box using contact gauges.



Dotted lines = Full options

SPECIFICATIONS

| | | | | | |
|-----------------------------|------------------------|--------------------------|---|------------------------|---|
| Inlet / outlet ports | ¼ NPT | Leak rate | 10 ⁻⁸ mbar ℓ/s He | Inlet pressure | 230 / 300 bar 3335 / 4350 psig |
| O-ring | EPDM - standard FPM | Temperature range | -20°C to + 60°C -4°F to + 140°F | Outlet pressure | 10 / 16 / 35 / 50 bar 145 / 232 / 508 / 725 psig |
| Diaphragm | Hastelloy® | Nominal Flow | Up to 30 Nm ³ /h (N ₂) depending on outlet pressure | Oxygen use | Only with brass and inlet pressure 230 bar |
| | | Gauges | ¼ NPT | | |

PRODUCT CONFIGURATOR

| CMC | Body Material | Inlet Pressure | | Outlet Pressure | | Outlet Valve | | Purge | | Measurement | | Sensors | | Configurations | | | Gas* | |
|-----|---------------------|----------------|----------------------|-----------------|--------------------|--------------|-----------------------|-------|----------------------|-------------|---------------------------------|------------|--------------------------|----------------|---|----------------|------------------|------------------|
| | CB / SS | 280 | 380 | 16 | 35 | V | 0 | P | 0 | M63 | 0 | HP | S | S | N ₂ | N ₂ | | |
| | Chrome plated brass | CB | 230 bar 3335 psig | 280 | 10 bar 145 psig | 10 | Outlet valve ¼ NPT | V | With purge valves | P | Pressure gauge (63 mm) | M63 | Pressure sensor HP | HP | Standard | S | N ₂ | N ₂ |
| | Stainless steel | SS | 300 bar 4350 psig | 380 | 16 bar 232 psig | 16 | None | 0 | Without purge valves | 0 | Contact gauges HP (50 mm) | CGH 50 | Pressure sensor LP | LP | Collected safety relief valve and purge | CL | Ar | Ar |
| | Raw brass | RB | | | 35 bar 508 psig | 35 | | | | | Contact gauges LP (50 mm) | CGL 50 | Pressure sensor HP+LP | HLP | | | O ₂ | O ₂ |
| | | | | | 50 bar 725 psig | 50 | | | | | Contact gauges LP+HP (50 mm) | CGHL 50 | None | 0 | | | CO ₂ | CO ₂ |
| | | | | | | | | | | | | | | | | | N ₂ O | N ₂ O |
| | | | | | | | | | | | | | | | | | He | He |
| | | | | | | | | | | | | | | | | | H ₂ | H ₂ |

*Other gases on demand

SERIES CM 280 - CM 380 | SUPPLY BOARD

- Cartridge single stage
- Purity up to 6.0
- Inlet pressure:
200 bar (2900 psig)
or 300 bar (4350 psig)
- Outlet pressure:
10/16/35 bar
145/232/508 psig

- ★ Inlet/outlet pressure gauges
- ★ 1 relief valve
- ★ 1 purge outlet (type 2 and 3)
- ★ O₂ compatible (see technical data)
- ★ Regulator with cartridge technology

Special requirements on request

APPLICATIONS

- Ideally suited for pure and corrosive gases for high purity applications dedicated to the supply of gas to analyzers and to the creation of controlled atmosphere in laboratories, control units, and for petrochemical applications where high flows are required
- Used in combination with a Switchover board for the regulation of the emergency source during maintenance on the principal source. This avoids installing some extension and reducing the amount of leaking points

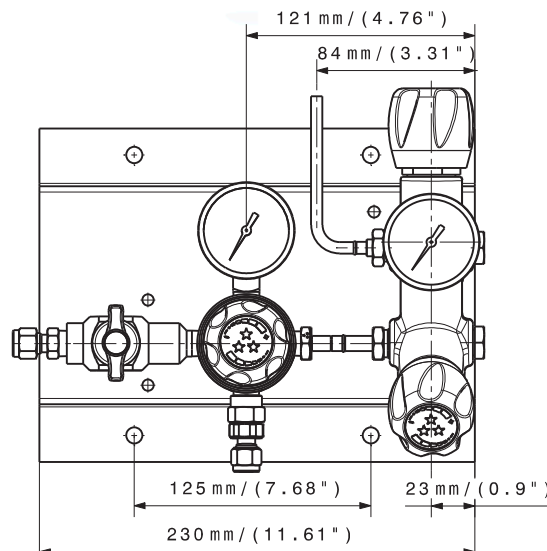
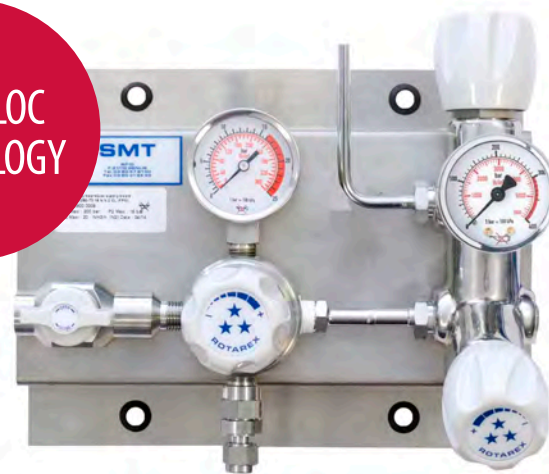
KEY FEATURES

- Ready to install with all components pre-mounted on a board.
- Best-in-class pressure stability with Cartridge Technology: the effect of inlet pressure fluctuations on outlet pressure are minimized. Cartridge Technology enables the delivery of a very stable outlet pressure and flow even with high flow line regulators.
- Cartridge technology increases regulator life and reduces ownership costs.
- Can be equipped with a collection tube on the relief valve and purge outlet.
- Can also be equipped with an outlet shut-off valve.
- The CM 280 – CM 380 can be connected to an alarm box using contact gauges.
- Can be equipped with diaphragm ¼ turn valve (CMC version) or with duobloc (CM version)

VERSION TYPE 3

Supply board with duobloc

DUO-BLOC
TECHNOLOGY



SPECIFICATIONS

| | | | | | |
|----------------------|-----------------------|--------------------------|--|------------------------|--|
| Female ports | ¼" NPT (Inlet/Outlet) | Weight | ± 2,9 kg (CM-1) / 4,5 kg (CM-2) / 4,8 kg (CM-3) ± 6.3 lbs / 9.9 lbs / 10.5 lbs | Inlet pressure | 200/300 bar 2900/4350 psig |
| Seat seal | PCTFE | Leak rate | 10 ⁻⁸ mbar ℓ/s He | Outlet pressure | 10/16/35/50 bar 145/232/507.5 psig |
| Seal material | PTFE | Temperature range | 20°C to + 60°C 4°F to + 140°F | Nominal Flow CV | 10/20/30 Nm ³ /h (N ₂) 0.1 |
| Diaphragm | Hastelloy® | Gauges | High and low pressure (¼" NPT) | Oxygen use | Ok with Brass and Stainless Steel |

PRODUCT CONFIGURATOR - WITH DUOBLOC

| CM | Body Material | | Inlet Pressure | | Version type | | Outlet Pressure | | Inlet Connection | | Outlet Connection | | Gauges | | Purge | | Gas Type | |
|----|---------------------|---|----------------------|-----|--------------|----|----------------------|----|------------------|----|-------------------|---|--------|----------------------------|-------|--|----------|----|
| | L | I | 280 | 380 | T3 | T3 | 10 | 16 | 35 | 50 | N | N | 6 | 1 | 2 | 0 | CL | |
| | Chrome plated brass | L | 200 bar 2900 psig | 280 | Type 3 | T3 | 10 bar 145 psig | 10 | ¼ NPT | N | ¼ NPT | N | 1 | With standard gauges | 1 | Without | 0 | N2 |
| | Stainless Steel | I | 300 bar 4350 psig | 380 | | | 16 bar 232 psig | 16 | | | | | 2 | HP inductive contact gauge | 2 | With connected purge and relief valve* | CL | |
| | | | | | | | 35 bar 507.5 psig | 35 | | | | | | | | | | |
| | | | | | | | 50 bar 725 psig | 50 | | | | | | | | | | |

SERIES MOD | SUPPLY BOARD

- Diaphragm single stage
- Balanced-Valve Technology
- Purity up to 5.5 (6.0 without the ball valve)
- Inlet pressure: 200 bar (2900 psig) or 300 bar (4350 psig)
- Outlet pressure: 10/16/30/50 bar 145/232/435/725 psig

- ★ 1 duobloc
- ★ 3 inlets/1 outlet
- ★ Inlet/outlet pressure gauges
- ★ 1 relief valve
- ★ 1 purge outlet
- ★ O₂ application compatible (see technical data)
- ★ Acetylene version available
- ★ Propane version available

Special requirements on request

APPLICATIONS

- Used in combination with a switchover board for the regulation of the emergency source during maintenance on the principal source. This avoids installing extensions and reduces the amount of leaking points.
- Suitable for the high flow supply of industrial gases except toxic and corrosive gases.

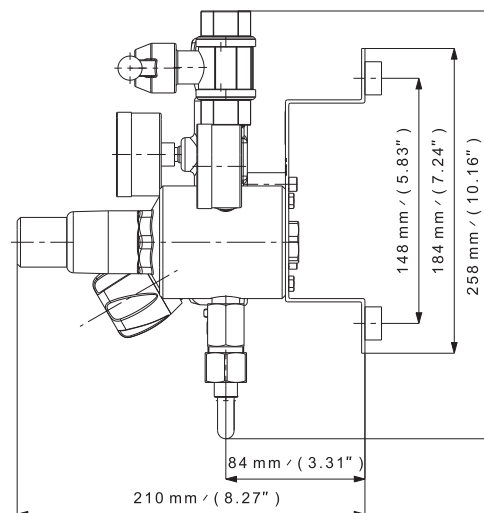
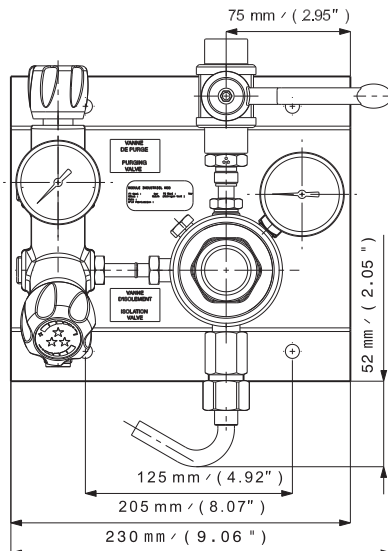
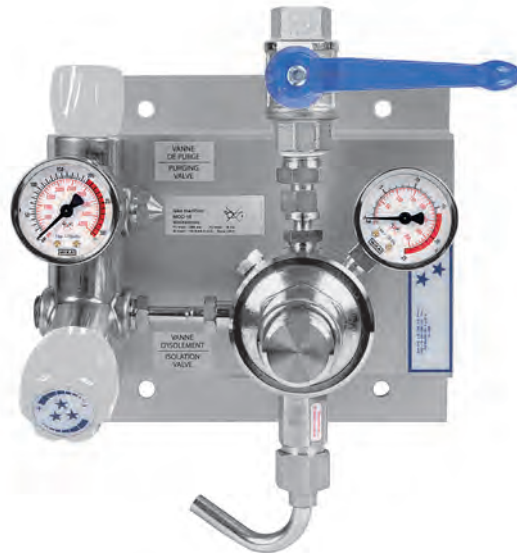
KEY FEATURES

- Possible to connect 2 gas cylinders and a gas for purging operation (up to 3 cylinders without any extension - without using the purge line).
- Ready to install: all components are pre-mounted on a board.

- Best-of-class pressure stability with Balanced-Valve Technology: the effect of inlet pressure fluctuations on outlet pressure are minimized. Balanced-Valve Technology enables the delivery of a very stable outlet pressure and flow even with high flow line regulators.
- Non-whipping filter improves safety of the operator during the cylinder replacement.
- Can be equipped with an outlet ¼ turn shut-off valve (Multi-turn valve with 30 bar or 50 bar version for oxygen use).
- Can be connected to an alarm box using contact gauges.
- Acetylene version available:
P1 = 25 bar / P2 = 1 bar / Q = 6,5 Nm³/h.
- For use with acetylene this product must be installed with a flash back arrestor complying with the standard EN 730 located downstream.
- Propane version available:
P1 = 25 bar / P2 = 4 bar / Q = 10 Nm³/h.



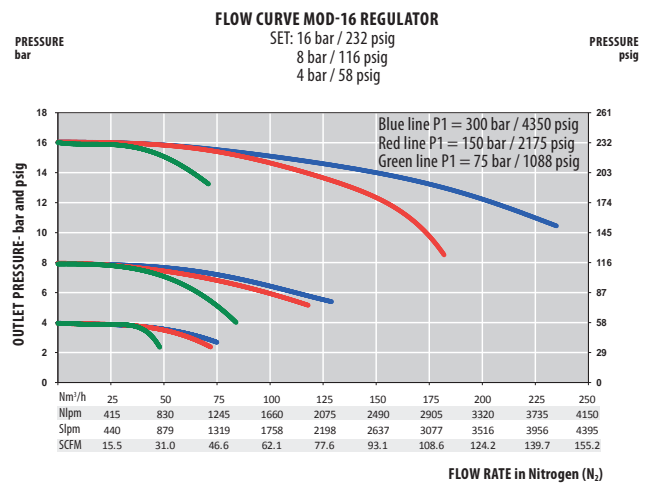
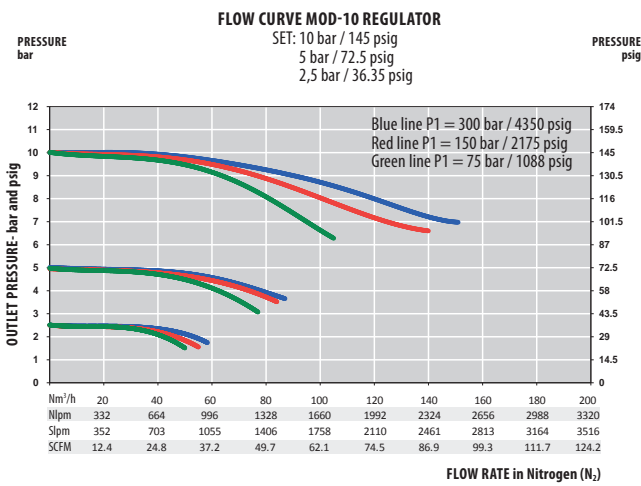
3 inlet ports



SPECIFICATIONS

| | | | | | |
|------------------------------|--|--------------------------|--|-------------------------------------|--|
| Female ports | In: G 3/8 - Out: G 1/2 In: 3/8 NPT - Out: G 1/2 | Leak rate | w/outlet valve: 1.10 ⁻⁴ mbar ℓ/s He w/o outlet valve: 1.10 ⁻⁶ mbar ℓ/s He | Inlet pressure | 200 bar / 300 bar 2900 psig / 4350 psig AD and PR4: 25 bar (362.5 psig) |
| Seat seal | PCTFE | Temperature range | -20°C to +60°C -4°F to +140°F | Outlet pressure | 10/16/30/50 bar 145/232/435/725 psig AD: 1 bar (14.5 psig) PR4: 4 bar (58 psig) |
| O-ring | EPDM - Standard FPM | Gauges | High and low pressure (M10 x 1 or G 1/4) | Nominal Flow 200 bar version | 70/110/150/180 Nm ³ /h (N ₂) |
| Diaphragm (regulator) | AISI 304 or Hastelloy® | | | Nominal Flow 300 bar version | 50/70/100/130 Nm ³ /h (N ₂) |
| Weight | ± 6,0 kg ± 13.0 lbs | | | Nominal Flow AD and PR4 | AD: 6,5 Nm ³ /h PR4: 10 Nm ³ /h |
| | | | | Oxygen use | OK with inlet pressure 200 and 300 bar |

FLOW CURVES



PRODUCT CONFIGURATOR

| Inlet pressure | | Outlet | | Body Material | | End Connections | | O-ring Material | Gauges | Fix or adjustable Outlet Pressure | | Outlet valve | Configuration | | | |
|----------------------|------------|--|--------------|---------------------|-----------|-------------------------------------|----------|-----------------|---------------------------------|-----------------------------------|--------------------------------|--------------|----------------------------|----------|------------------------|----------|
| MOD300 | | 16 | | L | | G | | EPDM | 1 | FX | | V | A | | | |
| 200 bar 2900 psig | 200 | 10 bar 145 psig | 10 | Raw brass | LB | In: G 3/8 Out: G 1/2 Female | G | EPDM - Standard | With gauges - standard | 1 | With fixed P2 (standard) | FX | With outlet shut-off valve | V | Standard configuration | A |
| 300 bar 4350 psig | 300 | 16 bar 232 psig | 16 | Chrome plated brass | L | In: 3/8 NPT Out: G 1/2 Female | N | FPM | With HP inductive contact gauge | 2 | With adjustable P2 (handwheel) | ADJ | | | | |
| | | 30 bar 435 psig | 30 | | | | | | | | | | | | | |
| | | 30 bar 435 psig oxygen use | 30 OX | | | | | | | | | | | | | |
| | | 50 bar 725 psig | 50 | | | | | | | | | | | | | |
| | | 50 bar 725 psig oxygen use | 50 OX | | | | | | | | | | | | | |
| | | Acetylene special version (P2 = 1 bar) | AD | | | | | | | | | | | | | |
| | | Propane special version (P2 = 4 bar) | PR4 | | | | | | | | | | | | | |

SERIES CM 104 | SUPPLY BOARD

- Diaphragm single Stage
- Purity up to 6.0
- Inlet Pressure:
200 bar (2900 psig)
- Outlet Pressure:
10/25/50 bar
145/363/725 psig
- Ammonia (NH₃) version:
P1 = 8 bar (116 psig)
P2 = 3 bar (43.5 psig)

- ★ 1 duobloc
- ★ 3 inlets/1 outlet
- ★ Inlet/outlet pressure gauges
- ★ 1 relief valve
- ★ 1 purge outlet
- ★ Equipped with
SI 220 regulator
- ★ Only in stainless steel

Special requirements on request

APPLICATIONS

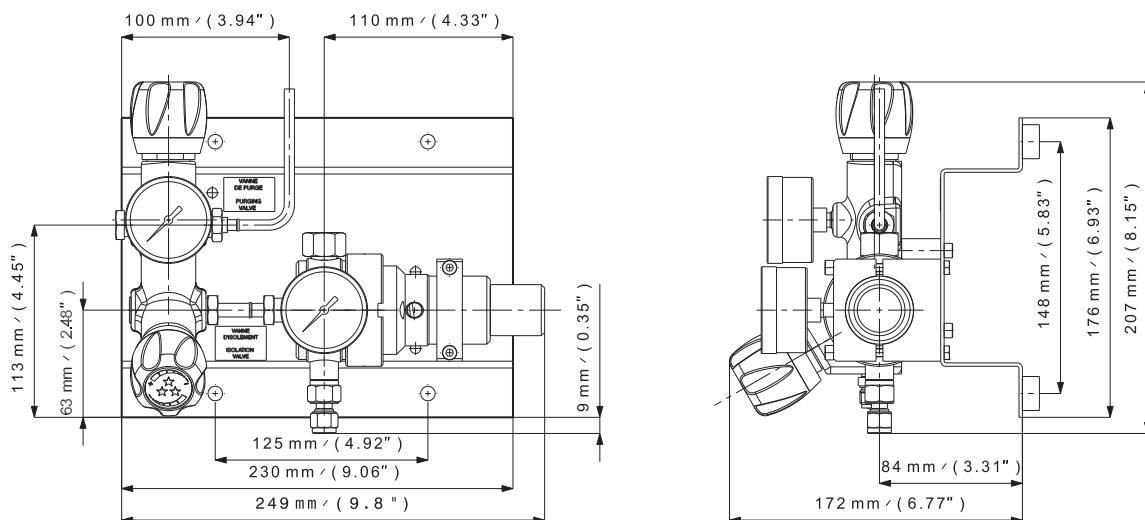
- Used in combination with a switchover board for the regulation of the emergency source during maintenance on the principal source. This avoids installing some extension and reducing the amount of leaking points.
- Suited for pure and corrosive gases for high purity applications
- Specifically dedicated to the supply of gas to analyzers and to the creation of controlled atmosphere in laboratories, control units.

KEY FEATURES

- Possible to connect 2 gas cylinders and a gas for purging operation (up to 3 cylinders without any extension - without using the purge line).
- Ready to install with all components pre-mounted on a board.
- Can be equipped with a collection tube on the relief valve and purge outlet.
- Also can be equipped with an outlet shut-off valve.
- The CMI 104 can be connected to an alarm box using contact gauges.
- NH₃ version available:
P1 = 8 bar/P2 = 3 bar/Q = 5 Nm³/h.



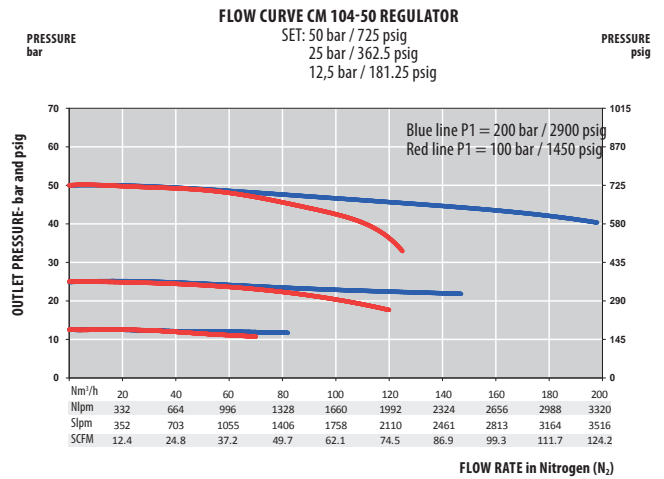
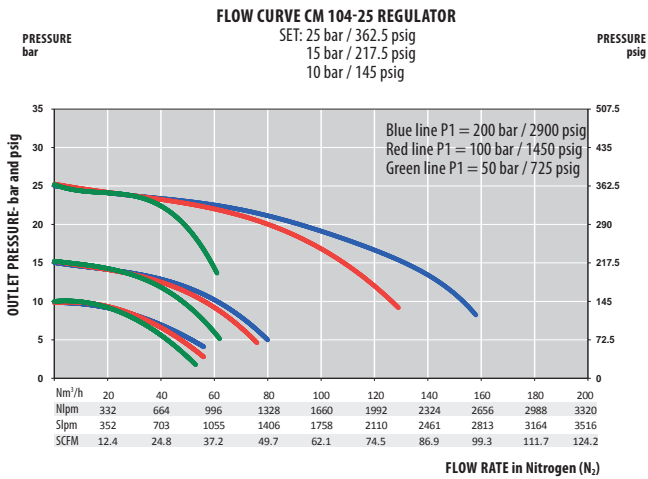
3 inlet ports



SPECIFICATIONS

| | | | | | |
|------------------------------|--|--------------------------|---|------------------------|--|
| Female ports | G 3/8 (inlet/outlet) or 1/4 NPT (inlet/outlet) | Weight | ± 4,5 kg ± 9.9 lbs | Inlet pressure | 200 bar (2900 psig) NH ₃ : 8 bar (116 psig) |
| Seat seal | PCTFE | Leak rate | 10 ⁻⁸ mbar ℓ/s He | Outlet pressure | 10/25/50 bar 145/363/725 psig NH ₃ : 3 bar (43.5 psig) |
| O-ring (relief valve) | EPDM - standard FPM | Temperature range | -20°C to + 60°C -4°F to + 140°F | Nominal Flow | 10/10/50 Nm ³ /h (N ₂) NH ₃ : 5 Nm ³ /h (NH ₃) |
| Diaphragm | AISI 304 Hastelloy® (50 bar) | Gauges | High and low pressure (M10 x 1 or 1/8 NPT) | Oxygen use | No |

FLOW CURVES



PRODUCT CONFIGURATOR

| Body Material | | Outlet Pressure | | End Connections | O-ring Material (relief valve) | Gauges | | Outlet Valve | | Configuration | | |
|-----------------|-----|--------------------------------------|-----------------|------------------|--------------------------------|-----------------|---------------------------------|--------------|--|---------------|---------------------------------------|----|
| Stainless steel | CMI | 104 | 10 | G | EPDM | 1 | NV | A | | | | |
| | | 10 bar / 145 psig | 10 | G 3/8 - Female | G | EPDM - standard | with gauges - standard | 1 | without outlet shut-off valve (standard) | NV | standard configuration | A |
| | | 25 bar / 362.5 psig | 25 | 1/4 NPT - Female | N | FPM | with HP inductive contact gauge | 2 | with outlet shut-off valve | V | with connected purge and safety valve | CL |
| | | 50 bar / 725 psig | 50 | | | | | | | | | |
| | | Ammonia special version (P2 = 3 bar) | NH ₃ | | | | | | | | | |

SERIES CM 454 | SUPPLY BOARD

- Piston single stage
- Purity up to 6.0
- Inlet Pressure:
200 bar (2900 psig)
- Outlet Pressure:
160 bar (2320 psig)

- ★ 1 duobloc
- ★ 3 inlets/1 outlet
- ★ Inlet/outlet pressure gauges
- ★ 1 purge outlet
- ★ O₂ application compatible
- ★ SL 400 regulator integrated (CM 454)

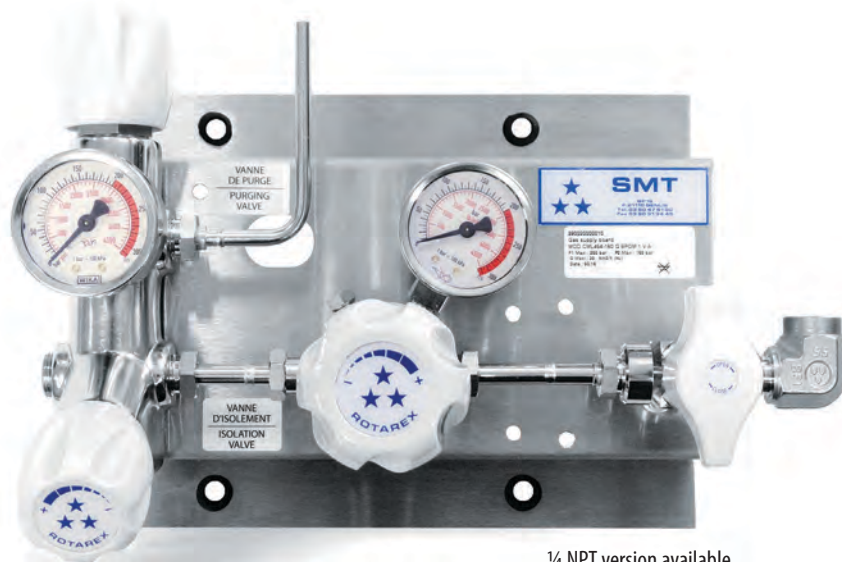
Special requirements on request

APPLICATIONS

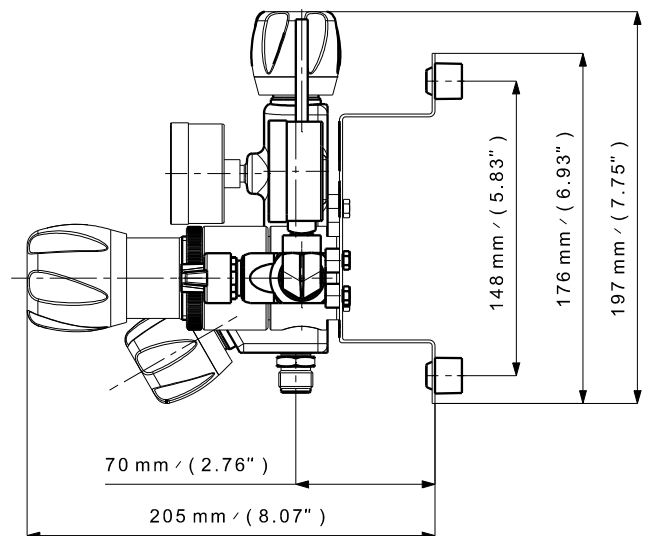
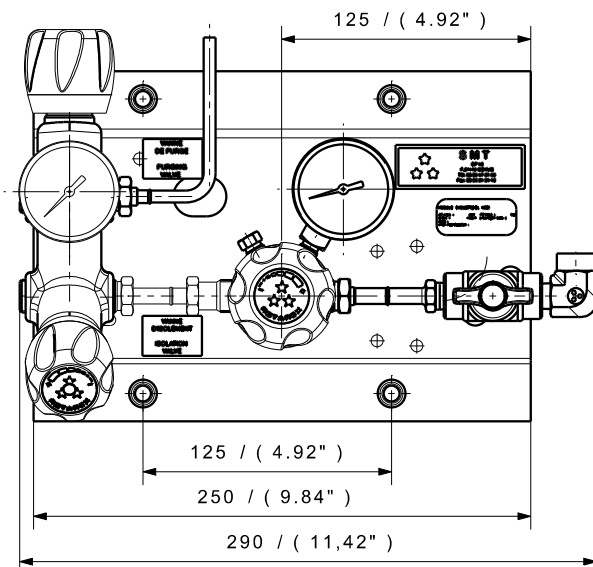
- Ideally suited for pure gases for high purity applications to put vessels under pressure and for leak detection and purge of pipe work.
- Used in combination with a switchover board for the regulation of the emergency source during maintenance on the principal source. This avoids installing some extension and reducing the amount of leaking points.

KEY FEATURES

- Adjustable outlet pressure
- Possible to connect 2 gas cylinders and a gas for purging operation (up to 3 cylinders without any extension - without using the purge line).
- Ready to install with all components pre-mounted on a board.
- Connectable to an alarm box using contact gauges.
- Equipped with a ¼ turn shut-off valve on the outlet.
- Collection tube available on the relief valve and purge outlet.
- Downstream regulation system can be decompressed by turning the hand wheel counter-clockwise.



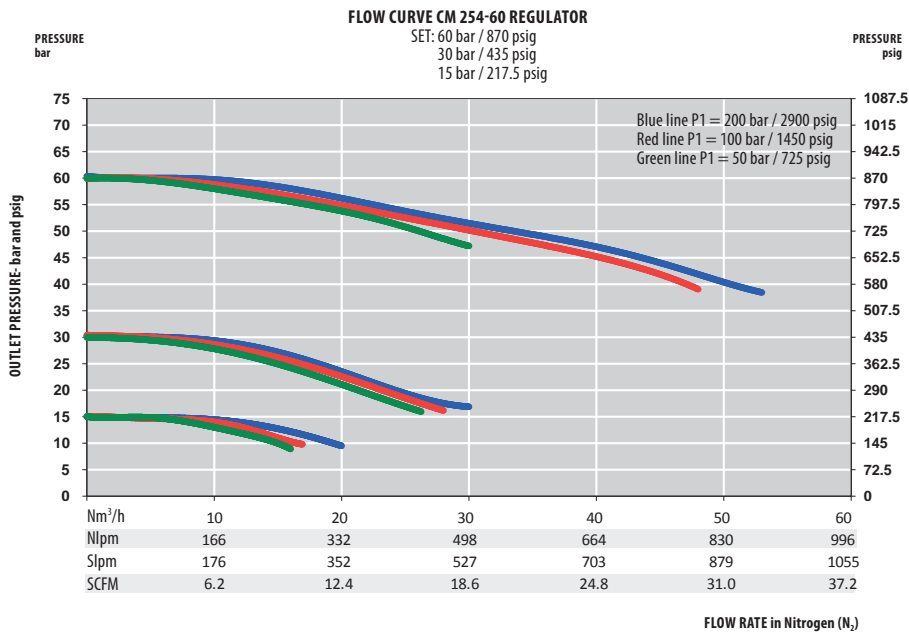
¼ NPT version available



SPECIFICATIONS

| | | | | | |
|---------------------|------------------------|--------------------------|------------------------------------|------------------------|---|
| Female ports | G 3/8 (inlet/outlet) | Weight | ± 4,5 kg ± 9.9 lbs | Inlet pressure | 200 bar 2900 psig |
| Seat seal | PCTFE | Leak rate | 10 ⁻⁸ mbar ℓ/s He | Outlet pressure | 160 bar 2320 psig |
| O-ring | EPDM - standard FPM | Temperature range | -20°C to + 60°C -4°F to + 140°F | Nominal Flow | 30 Nm ³ /h (N ₂) |
| Piston | AISI 316L | Gauges | High and low pressure (M10 x 1) | Oxygen use | OK for brass with 200 bar inlet pressure |

FLOW CURVES



PRODUCT CONFIGURATOR

| Body Material | | Outlet Pressure | | End Connections | | O-ring Material | Gauges | | Configuration | |
|---------------------|-----|-----------------|-----|-----------------|---|-----------------|---------------------------------|---|---------------------------------------|----|
| CML | | 454 | | G | | EPDM | 1 | | A | |
| Chrome Plated Brass | CML | 160 bar | 454 | G 3/8 - Female | G | EPDM | with gauges - standard | 1 | Standard Configuration | A |
| | | 2320 psig | | 1/4 NPT | N | FPM | with HP inductive contact gauge | 2 | with connected purge and relief valve | CL |

SERIES CC 284 / 384 | AUTOMATIC SWITCHOVER BOARD WITH MANUAL RESET

- Cartridge single stage regulators
- Diaphragm valves
- Purity up to 6.0
- Inlet pressure: 230 bar (3335 psig) or 300 bar (4350 psig)
- Outlet pressure: 10 bar (145 psig) 16 bar (232 psig) or 35 bar (508 psig)

- ★ 2x2 inlets/1 outlet
- ★ 1 relief valve
- ★ 2 purge outlets (optional)
- ★ Semi-automatic
- ★ Regulation done by 2 x SC281 cartridge regulator
- ★ O₂ application compatible (only 200 bar version)

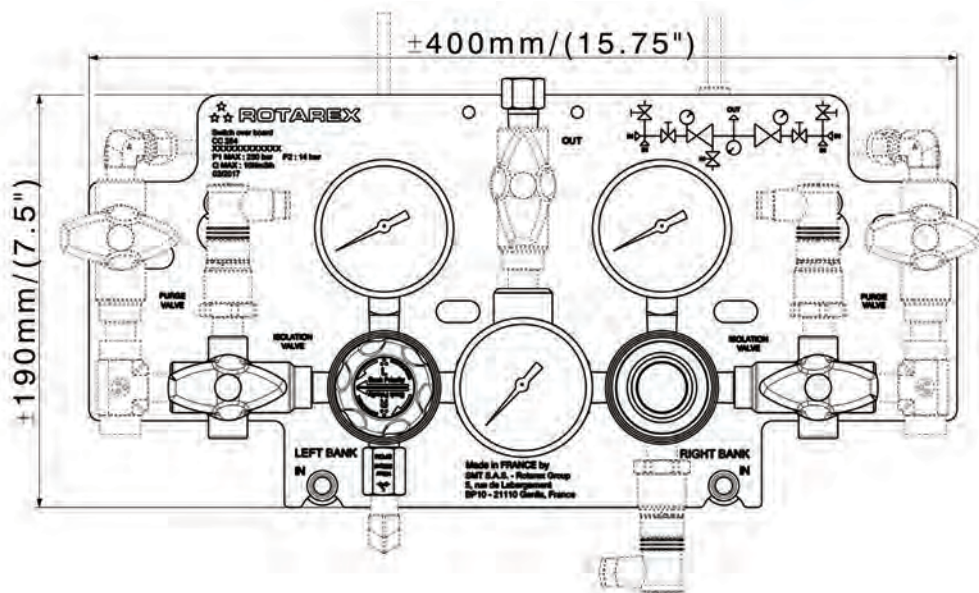
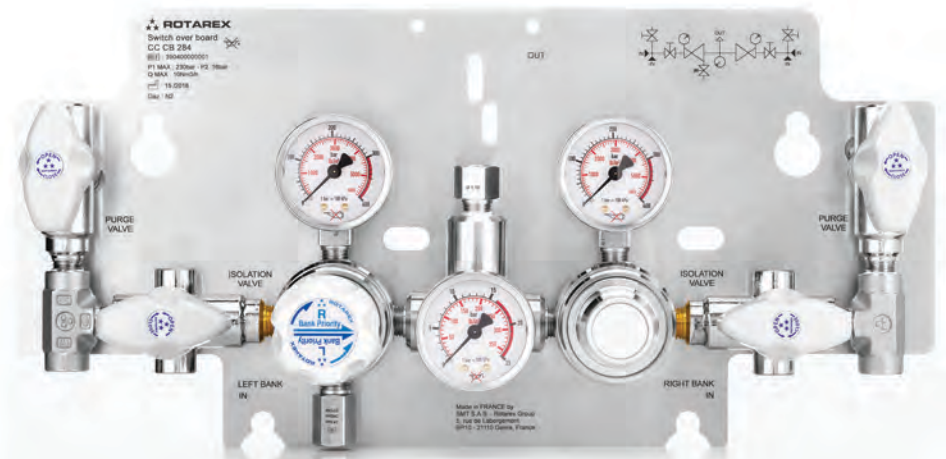
Special requirements on request

APPLICATIONS

- Ideally suited to insure gas supply from many high pressure sources of high purity non-corrosive gases with low flow (up to 25 Nm³/h)
- Dedicated to the supply of gas to analyzers and to the creation of controlled atmosphere in laboratories, control units, and for petrochemical applications
- Thanks to the flexible and modular configuration of the switchover board: Possibility to manage inlet source, purging and outlet shut-off functions according to user's needs

KEY FEATURES

- The semi-automatic switchover board insures a continuous gas supply
- Ready to install thanks to pre-mounted components on a panel
- Can be equipped with a collection tube on the relief valve and purge outlet
- Easy handling thanks to visible technical drawings with key functionalities marked on the back plate
- Can be equipped with or without:
 - Outlet shut-off valve
 - Purging valve
- Using contact gauges or pressure sensor, the switchover board can also be connected to an alarm box to indicate the source status
- To connect up to 6 cylinders on each side you can use Rotarex extensions



Dotted lines = Full options

SPECIFICATIONS

| | | | | | |
|-----------------------------|---|--------------------------|---|------------------------|---|
| Inlet / outlet ports | ¼ NPT Other connections available on request | Leak rate | 10 ⁻³ mbar ℓ/s He | Inlet pressure | 230 / 300 bar 3335 / 4350 psig |
| O-ring | EPDM - standard FPM | Temperature range | -20°C to + 60°C -4°F to + 140°F | Outlet pressure | 10 / 16 / 35bar 145 / 232 / 508 psig |
| Diaphragm | Hastelloy® | Nominal Flow | Up to 25 Nm ³ /h (N ₂) depending on outlet pressure | Oxygen use | Only with brass and inlet pressure 230 bar |
| | | Gauges | ¼ NPT | | |

PRODUCT CONFIGURATOR

| CC | Body Material | Inlet Pressure | | Outlet Pressure | | Outlet Valve | | Purge | | Measurement | | Sensors | | Configurations | | Gas* | | |
|----|---------------------|----------------|----------------------|-----------------|--------------------|--------------|-----------------------|-------|----------------------------|-------------|---------------------------------|------------|--------------------------|----------------|---|----------------|------------------|------------------|
| | CB / SS | 284 | 384 | 16 | 35 | 0 | V | P | 0 | M63 | 0 | S | S | N ₂ | N ₂ | N ₂ | N ₂ | |
| | Chrome plated brass | CB | 230 bar 3335 psig | 284 | 10 bar 145 psig | 10 | Outlet valve ¼ NPT | V | With purge valves | P | Pressure gauge (63 mm) | M63 | Pressure sensor HP | HP | Standard | S | N ₂ | N ₂ |
| | Stainless steel | SS | 300 bar 4350 psig | 384 | 16 bar 232 psig | 16 | None | 0 | Without purge valves | 0 | Contact gauges HP (50 mm) | CGH 50 | Pressure sensor LP | LP | Collected safety relief valve and purge | CL | Ar | Ar |
| | Raw brass | RB | | | 35 bar 508 psig | 35 | | | | | Contact gauges LP (50 mm) | CGL 50 | Pressure sensor HP+LP | HLP | | | O ₂ | O ₂ |
| | | | | | | | | | | | Contact gauges LP+HP (50 mm) | CGHL 50 | None | 0 | | | CO ₂ | CO ₂ |
| | | | | | | | | | | | | | | | | | N ₂ O | N ₂ O |
| | | | | | | | | | | | | | | | | | He | He |
| | | | | | | | | | | | | | | | | | H ₂ | H ₂ |

*Other
gases on
demand

SERIES CC 283/383 | MANUAL SWITCHOVER BOARD

- Cartridge single stage regulators
- Diaphragm valves
- Purity up to 6.0
- Inlet pressure: 230 bar (2900 psig) or 300 bar (4350 psig)
- Outlet pressure: 10 bar (145 psig) 16 bar (232 psig), 35 bar (508 psig) or 50 bar (725 psig)

- ★ 2x2 inlets/1 outlet
- ★ 1 relief valve
- ★ 2 purge outlets (optional)
- ★ Semi-automatic
- ★ Regulation done by 1 x SC281 cartridge regulator
- ★ O₂ application compatible

Special requirements on request



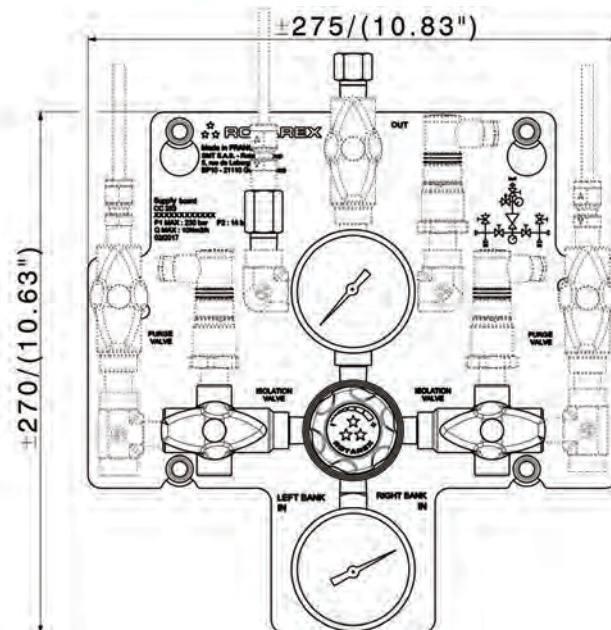
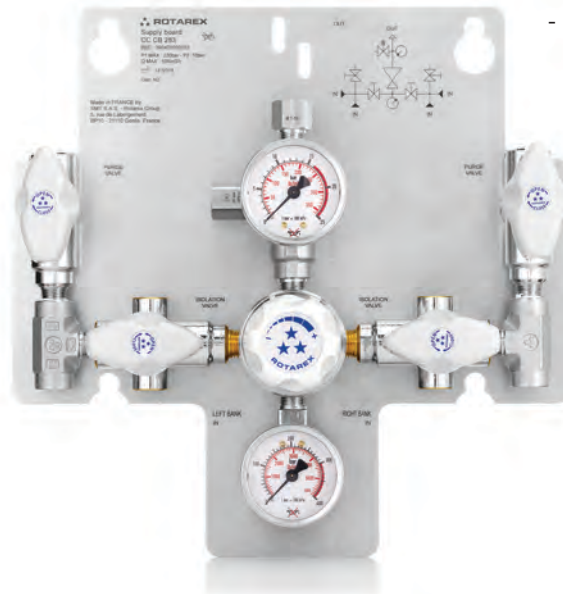
Optional connection with Alarm Box

APPLICATIONS

- Ideally suited to insure gas supply from many high pressure sources of high purity non-corrosive gases with low flow (up to 25 Nm³/h)
- Dedicated to the supply of gas to analyzers and to the creation of controlled atmosphere in laboratories, control units, and for petrochemical applications
- Thanks to the flexible and modular configuration of the switchover board: Possibility to manage inlet source, purging and outlet shut-off functions according to user's needs

KEY FEATURES

- The manual switchover board insures a regular and accurate gas supply with possibility to manually switch on a second source with the highest safety level
- Ready to install thanks to the pre-mounted components on the back-panel
- Can be equipped with a collection tube on the relief valve and purge outlet
- Easy handling thanks to visible technical drawings with key functionalities marked on the back plate
- Can be equipped with or without:
 - Outlet shut-off valve
 - Purging valve
- Using contact gauges or pressure sensor, the switchover board can also be connected to an alarm box to indicate the source status
- To connect up to 6 cylinders on each side you can use Rotarex extensions



Dotted lines = Full options

SPECIFICATIONS

| | | | | | |
|-----------------------------|---|--------------------------|---|------------------------|---|
| Inlet / outlet ports | ¼ NPT Other connections available on request | Temperature range | -20°C to + 60°C -4°F to + 140°F | Outlet pressure | 10 / 16 / 35 / 50 bar 145 / 232 / 508 psig |
| O-ring | EPDM - standard FPM | Nominal Flow | Up to 25 Nm ³ /h (N ₂) depending on outlet pressure | Oxygen use | Only with brass and inlet pressure 230 bar |
| Diaphragm | Hastelloy® | Gauges | ¼ NPT | | |
| Leak rate | 10 ⁻⁸ mbar ℓ/s He | Inlet pressure | 230 / 300 bar 3335 / 4350 psig | | |

PRODUCT CONFIGURATOR

| CC | Body Material | Inlet Pressure | | Outlet pressure | | Outlet Valve | | Purge | Measurement | | Sensors | | Configurations | Gas* | | | | |
|----|---------------------|----------------|----------------------|-----------------|--------------------|--------------|-----------------------|-------|------------------------|---|---------------------------------|----------------|-----------------------------|------|---|----|------------------|-----|
| | CB / SS | 283 | 283 | 16 | 10 | 0 | V | P | M63 | 0 | S | N ₂ | | | | | | |
| | Chrome plated brass | CB | 230 bar 3335 psig | 283 | 10 bar 145 psig | 10 | Outlet valve ¼ NPT | V | With purge valve | P | Pressure gauge (63 mm) | M63 | Pressure sensor HP | HP | Standard | S | N ₂ | N2 |
| | Stainless steel | SS | 300 bar 4350 psig | 383 | 16 bar 232 psig | 16 | None | 0 | Without purge valve | 0 | Contact gauges HP (50 mm) | CGH 50 | Pressure sensor LP | LP | Collected safety relief valve and purge | CL | Ar | Ar |
| | Raw brass | RB | | | 35 bar 508 psig | 35 | | | | | Contact gauges LP (50 mm) | CGL 50 | Pressure sensor HP+LP | HLP | | | O ₂ | O2 |
| | | | | | 50 bar 725 psig | 50 | | | | | Contact gauges LP+HP (50 mm) | CGHL 50 | None | 0 | | | CO ₂ | C02 |
| | | | | | | | | | | | | | | | | | N ₂ O | N2O |
| | | | | | | | | | | | | | | | | | He | He |
| | | | | | | | | | | | | | | | | | H ₂ | H2 |

*Other
gases on
demand

SERIES CC 285 / 385 | AUTOMATIC SWITCHOVER BOARD WITH MANUAL RESET

WITH INTEGRATED OUTLET PRESSURE REGULATOR

- Cartridge single stage regulators
- Diaphragm valves
- Dual stage regulator integrated

- ★ 2x2 inlets/1 outlet
- ★ 2 relief valves
- ★ 2 purge outlets (optional)
- ★ Semi-automatic
- ★ Regulation done by 3 cartridge regulators
- ★ O₂ application compatible

Special requirements on request



INNOVATION

Compact outlet pressure regulator with integrated pressure gauge

- Purity up to 6.0
- Inlet pressure: 230 bar (3335 psig) or 300 bar (4350 psig)
- Switching pressure: 10 bar (145 psig) 16 bar (232 psig) or 35 bar (508 psig)
- Outlet pressure: 1.5 bar (22 psig) 5.5 bar (80 psig) or 10 bar (145 psig)

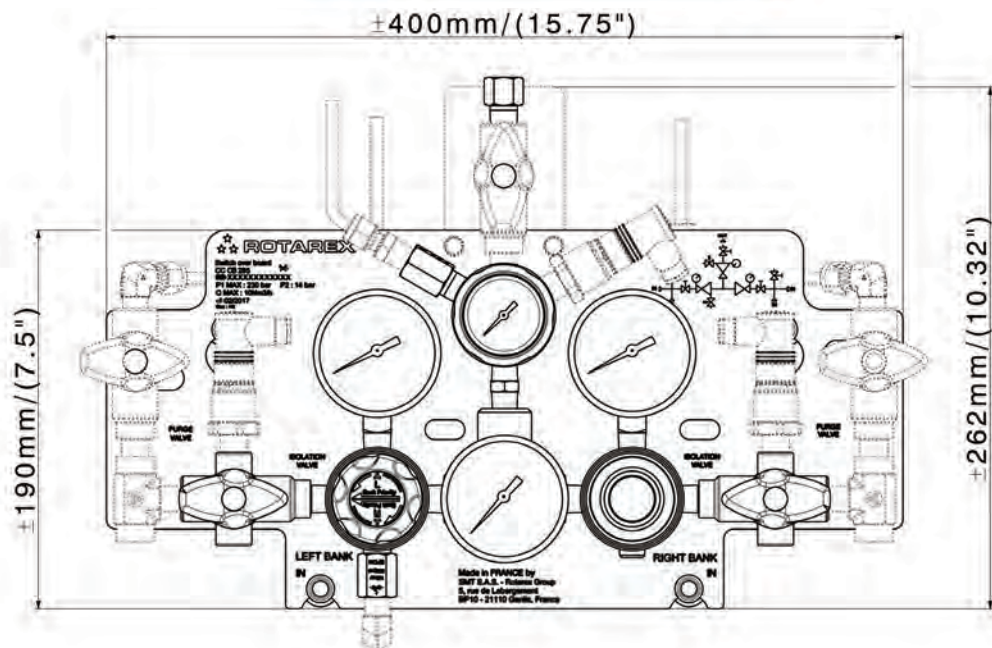
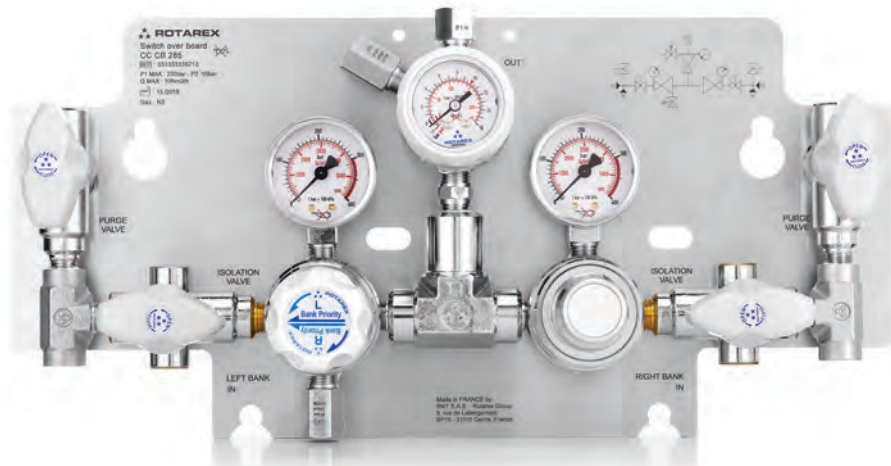
APPLICATIONS

- Ideally suited to insure gas supply from many high pressure sources of high purity non-corrosive gases with low flow (10 Nm³/h)
- Dedicated to the supply of gas to analyzers and to the creation of controlled atmosphere in laboratories, control units, and for petrochemical applications
- Thanks to the flexible and modular configuration of the switchover board: Possibility to manage

inlet source, purging device, outlet regulation and shut-off functions according to user's needs

KEY FEATURES

- The semi-automatic switchover board insures a continuous gas supply without gas interruption
- Ready to install thanks to pre-mounted components on a panel
- Relief valve and purge outlet can be collected
- Easy handling thanks to visible technical drawings with key functionalities marked on the back plate
- Can be equipped with or without:
 - Outlet shut-off valve
 - Purging valves
- Using contact gauges or pressure sensor, the switchover board can also be connected to an alarm box to indicate the source status
- To connect up to 6 cylinders on each side you can use Rotarex extensions



Dotted lines = Full options

SPECIFICATIONS

| | | | | | |
|-----------------------------|---|--------------------------|---|------------------------|--|
| Inlet / outlet ports | ¼ NPT Other connections available on request | Leak rate | 10 ⁻⁸ mbar ℓ/s He | Inlet pressure | 230 / 300 bar 3335 / 4350 psig |
| O-ring | EPDM - standard FPM | Temperature range | -20°C to + 60°C -4°F to + 140°F | Outlet pressure | 1.5 / 5.5 / 10 bar 22 / 80 / 145 psig |
| Diaphragm | Hastelloy® | Nominal Flow | 10 Nm ³ /h (N ₂) depending on outlet pressure | Oxygen use | Only with brass and inlet pressure 230 bar |
| | | Gauges | ¼ NPT | | |

PRODUCT CONFIGURATOR

| CC | Body Material | | Inlet Pressure | | | Outlet Pressure | | | Outlet Valve | | Purge | | Measurement | | Sensors | | Configurations | | Gas* | |
|----|---------------------|----|----------------------|-----|--------------------|-----------------|-----------------------|---|----------------------|---|---------------------------------|----------------|--------------------------|-----|---|----|------------------|-----|------|--|
| | CB / SS | | 285 | 1.5 | 1.5 | 0 | V | P | M63 | 0 | S | N ₂ | | | | | | | | |
| | Chrome plated brass | CB | 230 bar 3335 psig | 285 | 1,5 bar 22 psig | 1.5 | Outlet valve ¼ NPT | V | With purge valves | P | Pressure gauge (63 mm) | M63 | Pressure sensor HP | HP | Standard | S | N ₂ | N2 | | |
| | Stainless steel | SS | 300 bar 4350 psig | 385 | 5,5 bar 80 psig | 5.5 | None | 0 | Without purge valves | 0 | Contact gauges HP (50 mm) | CGH 50 | Pressure sensor LP | LP | Collected safety relief valve and purge | CL | Ar | Ar | | |
| | Raw brass | RB | | | 10 bar 145 psig | 10 | | | | | Contact gauges LP (50 mm) | CGL 50 | Pressure sensor HP+LP | HLP | | | O ₂ | O2 | | |
| | | | | | | | | | | | Contact gauges LP+HP (50 mm) | CGHL 50 | None | 0 | | | CO ₂ | CO2 | | |
| | | | | | | | | | | | | | | | | | N ₂ O | N2O | | |
| | | | | | | | | | | | | | | | | | He | He | | |
| | | | | | | | | | | | | | | | | | H ₂ | H2 | | |

*Other gases on demand

SERIES CEN | SWITCHOVER BOARD

- Diaphragm single stage
- Balanced-Valve Technology
- Purity up to 5.5 (6.0 without the ball valve)
- Inlet pressure:
200 bar (2900 psig)
or 300 bar (4350 psig)
- Outlet pressure:
10/16/30/50 bar
145/232/435/725 psig
- Acetylene version:
P1 = 25 bar (362.5 psig)
P2 = 1 bar (14.5 psig)
- Propane version:
P1 = 25 bar (362.5 psig)
P2 = 4 bar (58 psig)

- ★ 2 duoblocs
- ★ 2 x 3 inlets/1 outlet
- ★ Inlet/outlet pressure gauges
- ★ 1 relief valve
- ★ 2 purge outlets
- ★ O₂ application compatible

Special requirements on request

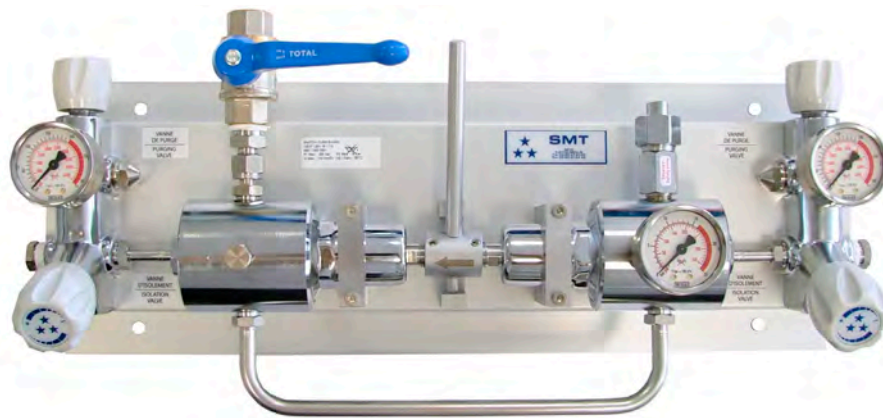
APPLICATIONS

- Suitable for the high flow supply of non-corrosive industrial gases when high flow are required like for plasma TIG and MIG cutting and welding applications.

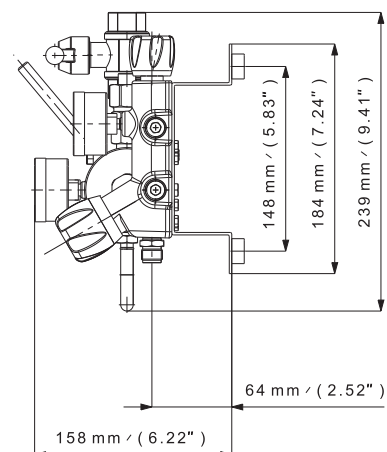
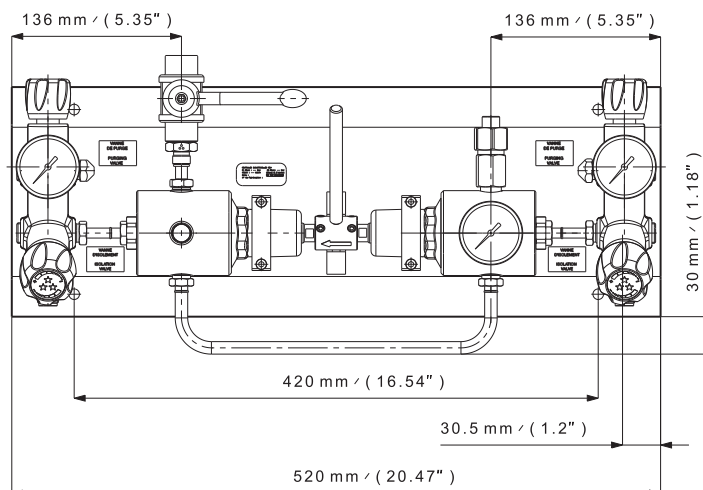
KEY FEATURES

- Possible to connect 4 gas cylinders without any extension and a gas for purging operation (up to 6 cylinders without any extension - without using the purge line).
- No risk that a source flows into the other one.
- Exists also in an AUTOMATIC version (with 10 and 16 bar outlet pressure). This automatic switchover board does not need to be reset to allow reversal of the cycle.
- Ready to install with all components pre-mounted on a board.
- Best-of-class pressure stability with Balanced-Valve Technology: the effect of inlet pressure fluctuations on outlet pressure are minimized. Balanced-Valve Technology enables the delivery of a very stable outlet pressure and flow.
- Reduced seat effort increases life of the regulator and reduces the ownership cost.

- Non-whipping filter on bottom inlet improves safety of the operator during the cylinder replacement.
- Can be equipped with an outlet ¼ turn shut-off valve (Multi-turn valve with 30 bar or 50 bar version for oxygen use).
- Can also be equipped with a collection tube on the relief valve and purge outlet.
- Using contact gauges, the switchover board can also be equipped with an alarm box to indicate the source status.
- Special carbon dioxide CO₂ version available (inlet pressure 200 bar or 300 bar with maximal flow = 80m³/h)
- Special FDA compatible version available on demand
- Acetylene version available:
P1 = 25 bar/P2 = 1 bar/Q = 6,5 Nm³/h
- Used with acetylene, this product must be installed with a flash back arrestor complying with the standard EN 730 located downstream.
- Propane version also available:
P1 = 25 bar/P2 = 4 bar/Q = 10 Nm³/h



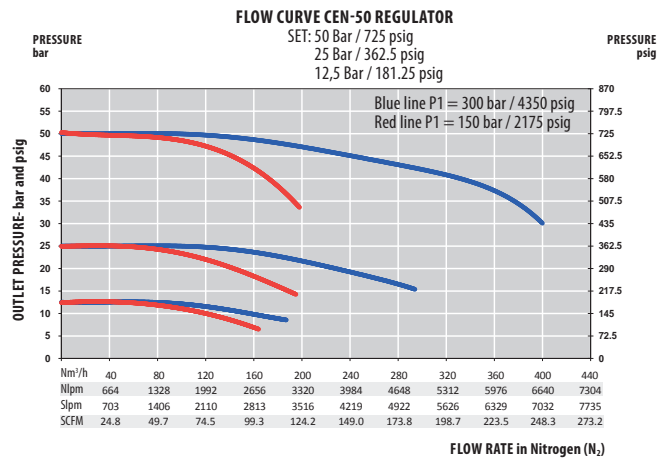
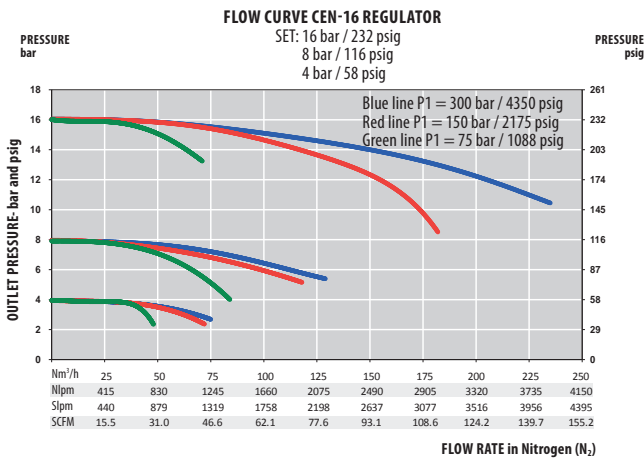
Automatic switch with manual reset
Chrome plated version



SPECIFICATIONS

| | | | | | |
|---------------------|--|--------------------------|--|-------------------------------------|--|
| Female ports | G 3/8 (inlet) - G 1/2 (outlet) or 3/8 NPT (inlet) - G 1/2 (outlet) | Leak rate | w/outlet valve: 1.10 ⁻⁴ mbar ℓ/s He w/o outlet valve: 1.10 ⁻⁸ mbar ℓ/s He | Inlet pressure | 200 bar / 300 bar 2900 psig / 4350 psig AD and PR4: 25 bar / 362.5 psig |
| Seat seal | PCTFE | Temperature range | -20°C to + 60°C -4°F to + 140°F | Outlet pressure | 10/16/30/50 bar 145/232/435/725 psig AD: 1 bar (14,5 psig) PR4: 4 bar (58 psig) |
| O-ring | EPDM - standard FPM | Gauges | High and low pressure (M10 x 1 or G 1/4) | Nominal Flow 200 bar version | 70/110/150/180 Nm ³ /h (N ₂) |
| Diaphragm | AISI 304 or Hastelloy® | | | Nominal Flow 300 bar version | 50/70/100/130 Nm ³ /h (N ₂) |
| Weight | ± 13,8 kg ± 27.0 lbs | | | Nominal Flow AD and PR4 | AD: 6,5 Nm ³ /h PR4: 10 Nm ³ /h |
| | | | | Oxygen use | OK with inlet pressure 200 and 300 bar |

FLOW CURVES



PRODUCT CONFIGURATOR

| | Inlet Pressure | Version type | Outlet Pressure | Body Material | End Connections | O-ring Material | Gauges | Outlet Valve | Configurations |
|------------|----------------------|------------------------------------|--|---------------------|------------------------------------|-----------------|---------------------------------|----------------------------|------------------------|
| CEN | 300 | SEMI | 16 | L | G | EPDM | 1 | V | A |
| | 200 bar 2900 psig | Automatic switch with manual reset | 10 bar 145 psig | Raw Brass | In: G 3/8 Out: G 1/2 - Female | EPDM - standard | with gauges - standard | with outlet shut-off valve | Standard configuration |
| | 300 bar 4350 psig | | 16 bar 232 psig | Chrome Plated Brass | In: 3/8 NPT Out: G 1/2 - Female | FPM | with HP inductive contact gauge | | |
| | | | 30 bar 435 psig | | | | | | |
| | | | 30 OX bar (435 psig) oxygen use | | | | | | |
| | | | 50 bar 725 psig | | | | | | |
| | | | 50 OX bar (725 psig) oxygen use | | | | | | |
| | | | Acetylene special version (P2 = 1 bar) | | | | | | |
| | | | Propane special version (P2 = 4 bar) | | | | | | |

SERIES TD 102 | SWITCHOVER BOARD

- Diaphragm single stage
- Purity up to 6.0
- Inlet pressure:
200 bar (2900 psig)
- Outlet pressure:
10/25/50 bar
145/363/725 psig
- NH₃ version:
P1 = 8 bar (116 psig)
P2 = 3 bar (43.5 psig)

- ★ 2 duoblocs
- ★ 2 x 3 inlets/1 outlet
- ★ 2 inlets/1 outlet pressure gauges
- ★ 1 relief valve
- ★ 2 purge outlets
- ★ Regulation done by 2 x S 220 regulators
- ★ Only in stainless steel

Special requirements on request

APPLICATIONS

- Ideally suited for corrosive gases and high purity applications for low flow applications.
- Dedicated to the supply of gas to analyzers and to the creation of controlled atmosphere in laboratories, control units.

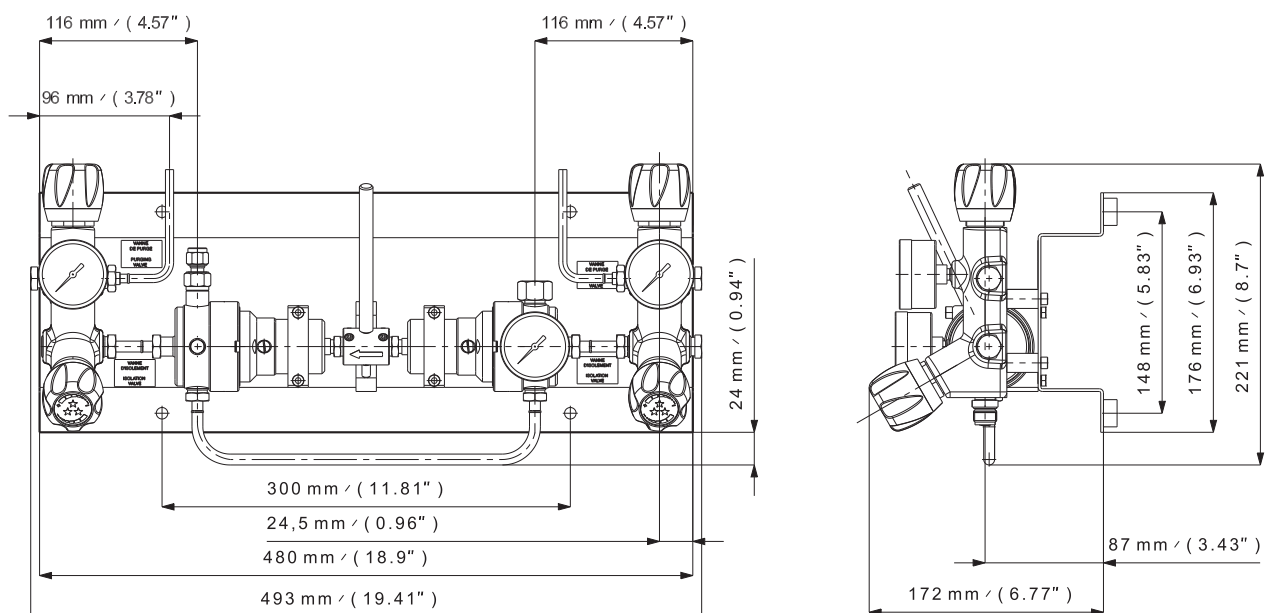
KEY FEATURES

- Possible to manage 4 gas cylinders without any extension and a gas for purging operation (up to 6 cylinders without any extension - without using the purge line).
- No risk that a source flows into the other one.
- Ready to install with all components are mounted on a board.

- Can be equipped with a collectable tube on the relief valve and purge outlet.
- Can also be equipped with an outlet shut-off valve.
- Using contact gauges, the switchover board can also be equipped with an alarm box to indicate the source status.
- NH₃ version available:
P1 = 8 bar/P2 = 3 bar/Q = 5 Nm³/h.



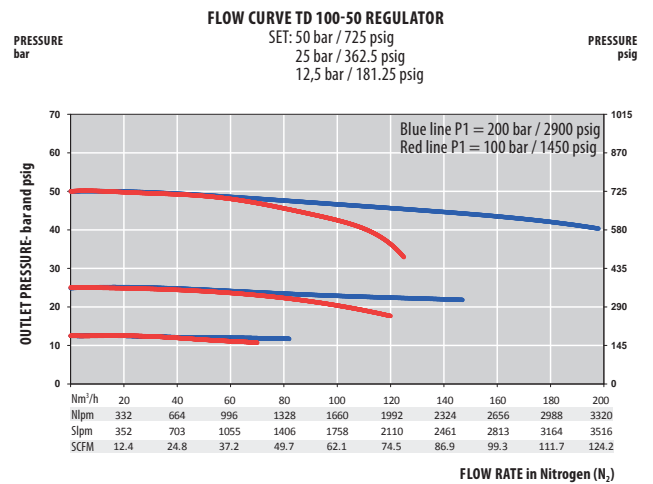
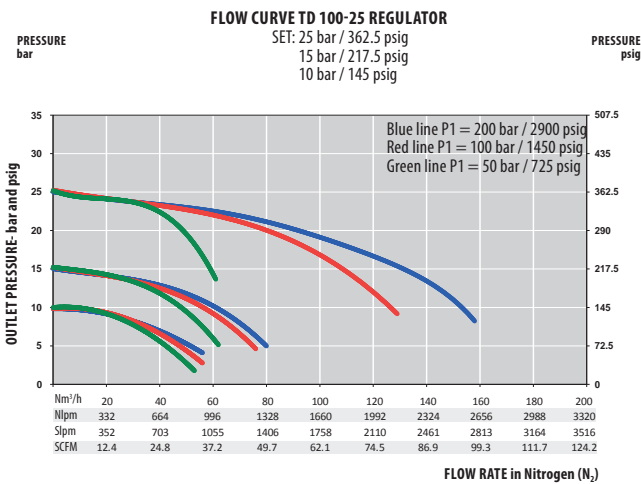
Automatic switch with manual reset



SPECIFICATIONS

| | | | | | |
|---------------------|--|--------------------------|---|------------------------|--|
| Female ports | G 3/8 (inlet/outlet) or 1/4 NPT (inlet/outlet) | Weight | ± 15,0 kg ± 33.0 lbs | Inlet pressure | 200 bar (2900 psig) NH ₃ : 8 bar (116 psig) |
| Seat seal | PCTFE | Leak rate | 10 ⁻⁸ mbar ℓ/s He | Outlet pressure | 10/25/50 bar 145/363/725 psig NH ₃ : 3 bar (43.5 psig) |
| O-ring | EPDM - standard FPM | Temperature range | -20°C to + 60°C -4°F to + 140°F | Nominal Flow | 10/10/50 Nm ³ /h (N ₂) NH ₃ : 5 Nm ³ /h (NH ₃) |
| Diaphragm | Hastelloy® | Gauges | High and low pressure (M10 x 1 or 1/8 NPT) | Oxygen use | No |

FLOW CURVES



PRODUCT CONFIGURATOR

| Body Material | Version Type | Outlet Pressure | End Connections | O-ring Material | Gauges | Outlet Valve | Configuration |
|-----------------|---|---|---------------------------|-----------------------------|--|---|---|
| Stainless steel | TDI Automatic switch with manual reset | 102 10 bar / 145 psig | G G 3/8 - Female | EPDM EPDM - standard | 1 with gauges - standard | V without outlet shut-off valve (standard) | A Standard configuration |
| | | 25 25 bar / 362.5 psig | N 1/4 NPT - Female | FPM | 2 with HP inductive contact gauge | V with outlet shut-off valve | CL with connected purge and relief valve |
| | | 50 50 bar / 725 psig | | | | | |
| | | NH3 Ammonia special version (P2 = 3 bar) | | | | | |

SERIES TD 202 | SWITCHOVER BOARD

- Diaphragm single stage
- Purity up to 6.0
- Inlet pressure:
200 bar (2900 psig)
or 300 bar (4350 psig)
- Outlet pressure:
10 bar (145 psig)
or 16 bar (232 psig)

- ★ 2 duoblocs
- ★ 2 x 3 inlets/1 outlet
- ★ 2 inlets/1 outlet pressure gauges
- ★ 1 relief valve
- ★ 2 purge outlets
- ★ Regulation done by 2 x S 215
- ★ O₂ application compatible (brass only 200 bar version)

Special requirements on request

APPLICATIONS

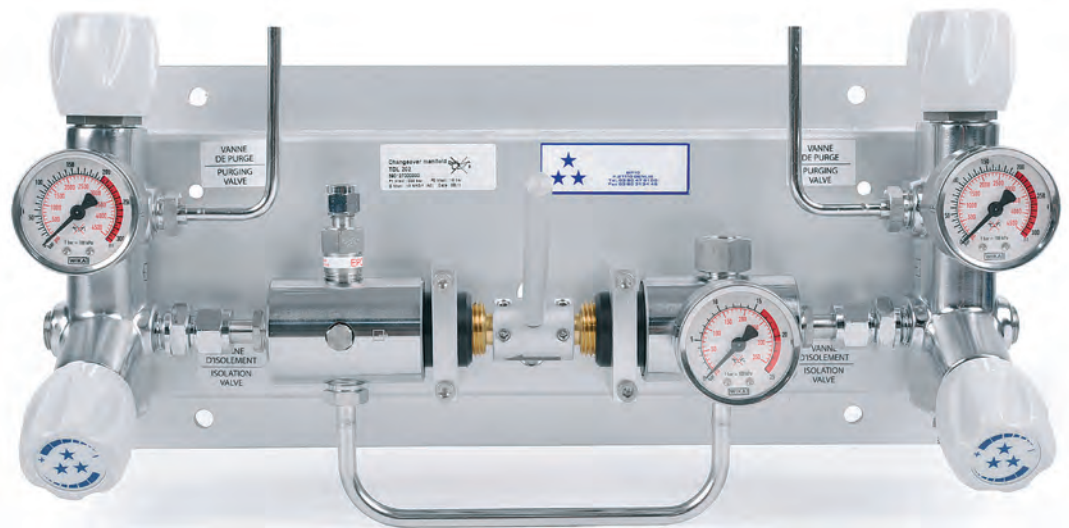
- Ideally suited to insure gas supply from many high-pressure sources of high purity non-corrosive gases with low flow
- Dedicated to the supply of gas to analyzers and to the creation of controlled atmosphere in laboratories, control units, and for petrochemical applications.

KEY FEATURES

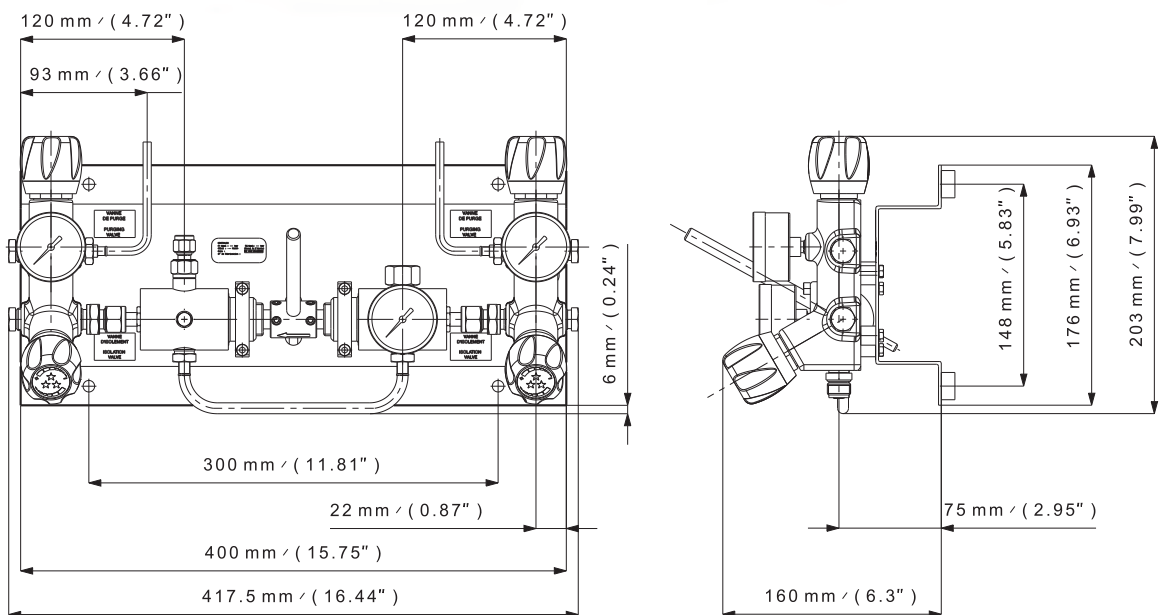
- Possible to manage 4 gas cylinders without any extension and a gas for purging operation (up to 6 cylinders without any extension - without using the purge line).
- No risk that a source flows into the other one.
- The automatic switchover board does not need to be reset to allow reversal of the cycle.
- Ready to install due with all components pre-mounted on a board.
- Can be equipped with a collection tube on the relief valve and purge outlet.
- Can be equipped with an outlet shut-off valve.
- Using contact gauges, the switchover board can also be equipped with an alarm box to indicate the source status.



3 inlet ports



Automatic switch with manual reset

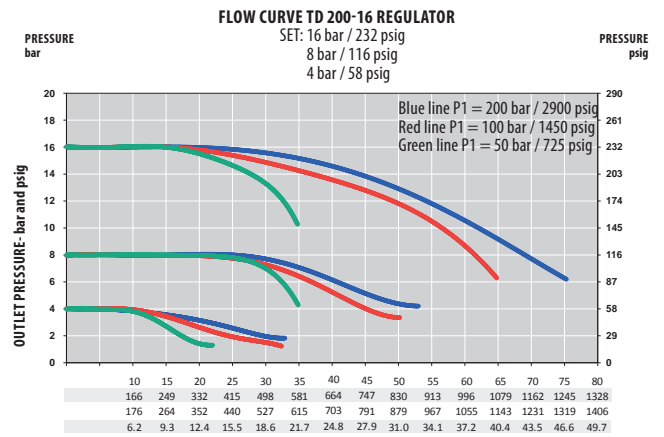
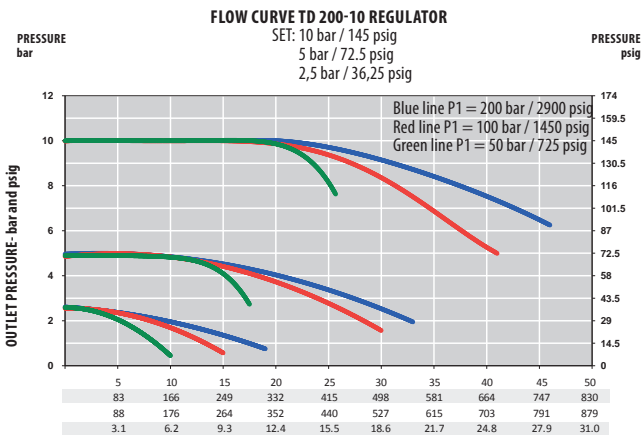


SPECIFICATIONS

| | | | | | |
|---------------------|--|--------------------------|---|------------------------|---|
| Female ports | G 3/8 (inlet/outlet) or 1/4 NPT (inlet/outlet) | Weight | ± 13 kg ± 29.0 lbs | Inlet pressure | 200 bar / 300* bar 2900 psig / 4350 psig |
| Seat seal | PCTFE | Leak rate | 10 ⁻⁸ mbar ℓ/s He | Outlet pressure | 10/16 bar 145/232 psig |
| O-ring | EPDM - standard FPM | Temperature range | -20°C to + 60°C -4°F to + 140°F | Nominal Flow | 10/10 Nm ³ /h (N ₂) |
| Diaphragm | AISI 304 Hastelloy® | Gauges | High and low pressure (M10 x 1 or 1/8 NPT) | Oxygen use | Brass only with inlet pressure 200 bar |

*Only in chrome plated version

FLOW CURVES



PRODUCT CONFIGURATOR

| TD | Body Material | Inlet Pressure and Version Type | Outlet Pressure | End Connections | O-ring Material | Gauges | Outlet Valve | Configuration |
|----|---------------|--|-------------------|------------------|-----------------|----------------------------------|--|---------------------------------------|
| | L | 202 | 10 | G | EPDM | 1 | NV | A |
| | L | Automatic switch with manual reset | 10 bar / 145 psig | G 3/8 - Female | EPDM - standard | with gauges - standard | without outlet shut-off valve (standard) | Standard configuration |
| | I | 302 | 16 | N | FPM | 2 | V | CL |
| | I | 300 bar (4350 psig) Automatic switch with manual reset | 16 bar / 232 psig | 1/4 NPT - Female | FPM | with HP inductive contact gauges | with outlet shut-off valve | with connected purge and relief valve |

SERIES TD 502 | SWITCHOVER BOARD

- Diaphragm single stage
- Balanced-Valve Technology
- Purity up to 6.0
- Inlet pressure: 200 bar (2900 psig)
- Outlet pressure: 10/25/50 bar 145/363/725 psig

- ★ 2 duoblocs
- ★ 2 x 3 inlets/1 outlet
- ★ Inlet/outlet pressure gauges
- ★ 1 relief valve
- ★ 2 purge outlets
- ★ O₂ application compatible (brass only 200 bar version)

Special requirements on request

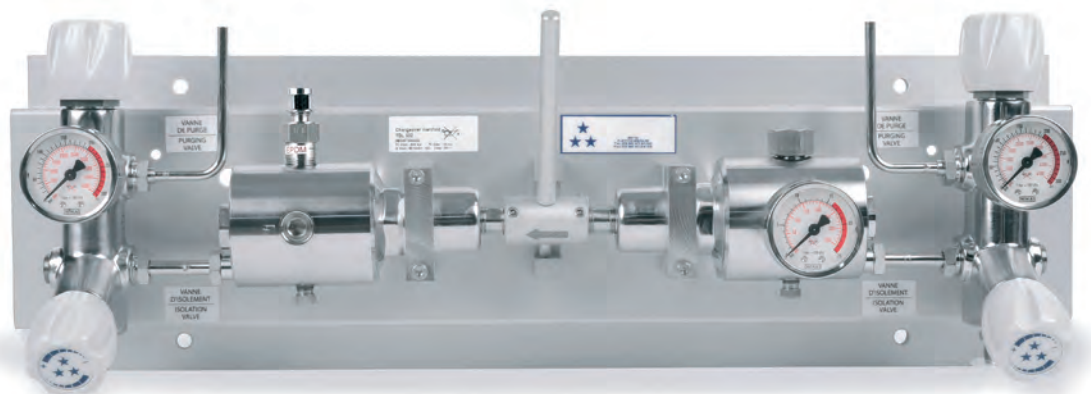
APPLICATIONS

- Ideally suited to insure gas supply from many high-pressure sources of high purity non-corrosive gases with high flow
- Dedicated to supply of gas to analyzers and to create a controlled atmosphere in laboratories, control units, and for petrochemical applications.

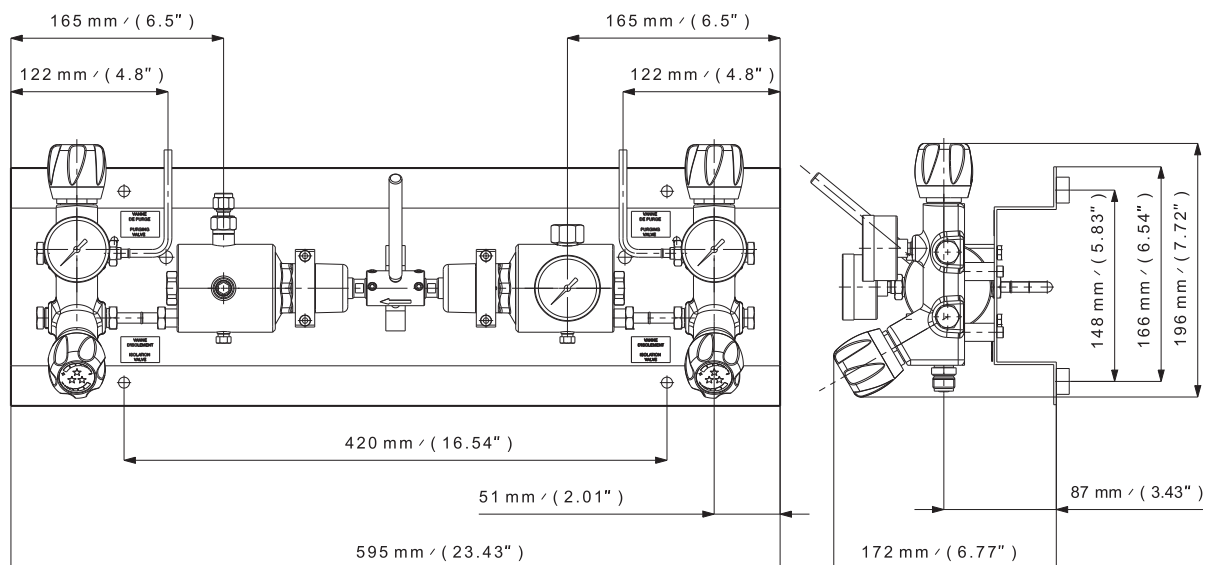
KEY FEATURES

- Possible to manage 4 gas cylinders without any extension and a gas for purging operation (up to 6 cylinders without any extension - without using the purge line).
- No risk that a source flows into the other one.
- Ready to install with all components pre-mounted on a board.
- The automatic switchover board does not need to be reset to allow reversal of the cycle.

- Best-in-class pressure stability with Balanced-Valve Technology: the effect of inlet pressure fluctuations on outlet pressure are minimized. The Balanced-Valve Technology enables the delivery of a very stable outlet pressure and flow.
- The BV Technology reduces the efforts on the seat to increase life of the regulator and reduce the ownership cost.
- Can be equipped with a collection tube on the relief valve and purge outlet.
- Can be equipped with an outlet shut-off valve.
- Using contact gauges, the switchover board can also be equipped with an alarm box to indicate the source status.



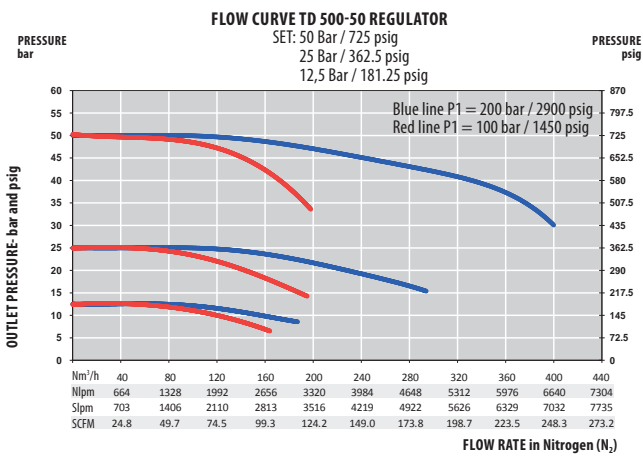
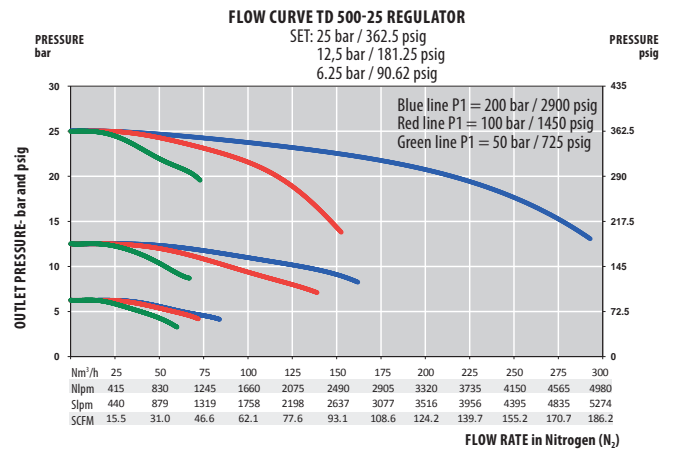
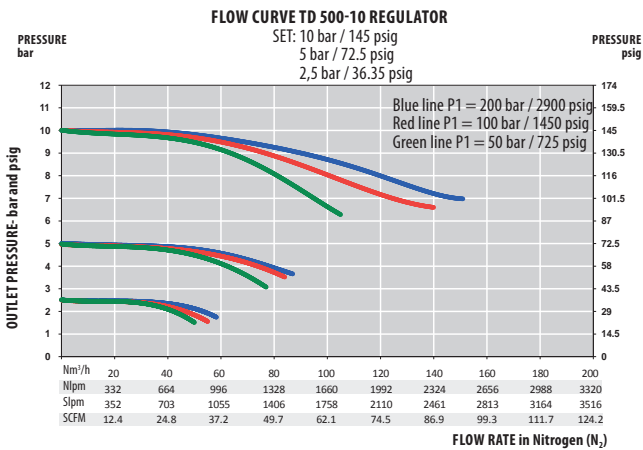
Automatic switch with manual reset



SPECIFICATIONS

| | | | | | |
|---------------------|--|--------------------------|---|------------------------|--|
| Female ports | G 3/8 (inlet/outlet) or 1/4 NPT (inlet/outlet) | Weight | ± 13 kg ± 29.0 lbs | Inlet pressure | 200 bar 2900 psig |
| Seat seal | PCTFE | Leak rate | 10 ⁻⁸ mbar ℓ/s He | Outlet pressure | 10/25/50 bar 145/363/725 psig |
| O-ring | EPDM - standard FPM | Temperature range | -20°C to + 60°C -4°F to + 140°F | Nominal Flow | 50/50/100 Nm ³ /h (N ₂) |
| Diaphragm | AISI 304 Hastelloy® | Gauges | High and low pressure (M10 x 1 or 1/8 NPT) | Oxygen use | Brass only with inlet pressure 200 bar |

FLOW CURVES



PRODUCT CONFIGURATOR

| Body Material | | Inlet Pressure and Version Type | | Outlet Pressure | | End Connections | | O-ring Material | Gauges | Outlet Valve | | Configuration | |
|---------------|---------------------|---|--|----------------------|----|------------------|--|-----------------|----------------------------------|--------------|--|---------------|---------------------------------------|
| TD | L | 502 | | 10 | | G | | EPDM | 1 | NV | | A | |
| | Chrome Plated Brass | 200 bar (2900 psig) Automatic switch with manual reset | | 10 bar 145 psig | 10 | G 3/8 - Female | | EPDM - standard | with gauges - standard | 1 | without outlet shut-off valve (standard) | | Standard configuration |
| | Stainless steel | | | 25 bar 362.5 psig | 25 | 1/4 NPT - Female | | FPM | with HP inductive contact gauges | 2 | with outlet shut-off valve | | with connected purge and relief valve |
| | | | | 50 bar 725 psig | 50 | | | | | | | | CL |

SERIES MOD | SUPPLY BOARD

- Diaphragm single stage
- Balanced-Valve Technology
- Purity up to 5.5 (6.0 without the ball valve)
- Inlet pressure: 200 bar (2900 psig) or 300 bar (4350 psig)
- Outlet pressure: 10/16/30/50 bar 145/232/435/725 psig

- ★ 1 duobloc
- ★ 3 inlets/1 outlet
- ★ Inlet/outlet pressure gauges
- ★ 1 relief valve
- ★ 1 purge outlet
- ★ O₂ application compatible (see technical data)
- ★ Acetylene version available
- ★ Propane version available

Special requirements on request

APPLICATIONS

- Used in combination with a switchover board for the regulation of the emergency source during maintenance on the principal source. This avoids installing extensions and reduces the amount of leaking points.
- Suitable for the high flow supply of industrial gases except toxic and corrosive gases.

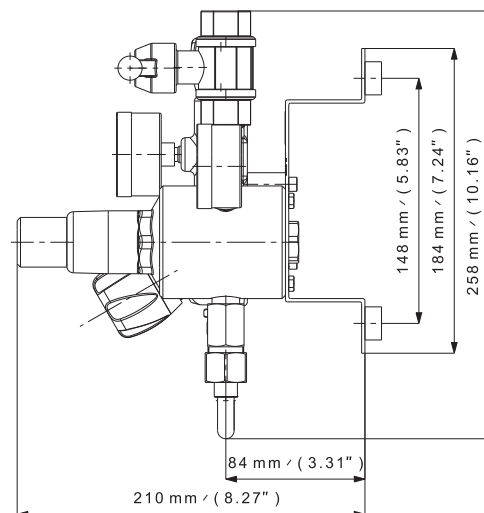
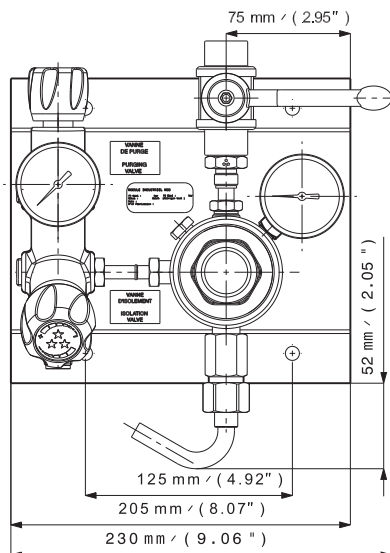
KEY FEATURES

- Possible to connect 2 gas cylinders and a gas for purging operation (up to 3 cylinders without any extension - without using the purge line).
- Ready to install: all components are pre-mounted on a board.

- Best-of-class pressure stability with Balanced-Valve Technology: the effect of inlet pressure fluctuations on outlet pressure are minimized. Balanced-Valve Technology enables the delivery of a very stable outlet pressure and flow even with high flow line regulators.
- Non-whipping filter improves safety of the operator during the cylinder replacement.
- Can be equipped with an outlet ¼ turn shut-off valve (Multi-turn valve with 30 bar or 50 bar version for oxygen use).
- Can be connected to an alarm box using contact gauges.
- Acetylene version available: P1 = 25 bar / P2 = 1 bar / Q = 6,5 Nm³/h.
- For use with acetylene this product must be installed with a flash back arrestor complying with the standard EN 730 located downstream.
- Propane version available: P1 = 25 bar / P2 = 4 bar / Q = 10 Nm³/h.



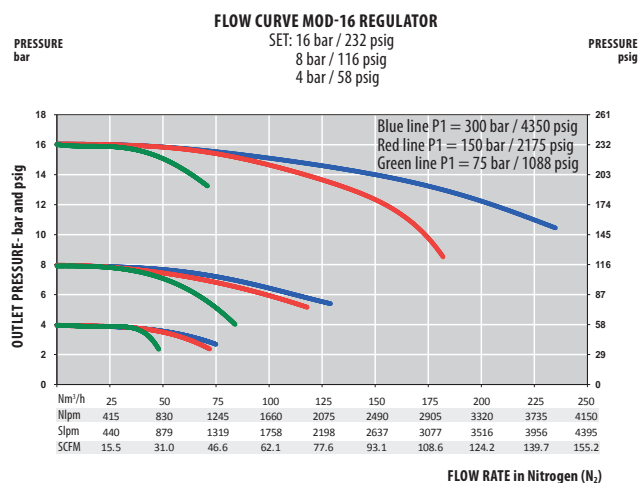
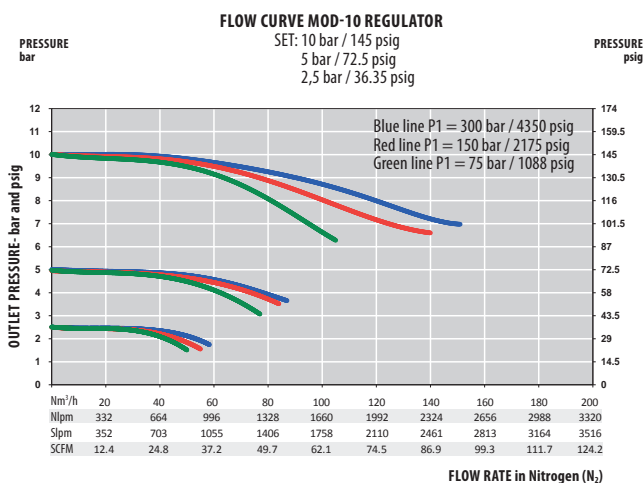
3 inlet ports



SPECIFICATIONS

| | | | | | |
|------------------------------|--|--------------------------|--|-------------------------------------|--|
| Female ports | In: G 3/8 - Out: G 1/2 In: 3/8 NPT - Out: G 1/2 | Leak rate | w/outlet valve: 1.10 ⁻⁴ mbar ℓ/s He w/o outlet valve: 1.10 ⁻⁶ mbar ℓ/s He | Inlet pressure | 200 bar / 300 bar 2900 psig / 4350 psig AD and PR4: 25 bar (362.5 psig) |
| Seat seal | PCTFE | Temperature range | -20°C to +60°C -4°F to +140°F | Outlet pressure | 10/16/30/50 bar 145/232/435/725 psig AD: 1 bar (14.5 psig) PR4: 4 bar (58 psig) |
| O-ring | EPDM - Standard FPM | Gauges | High and low pressure (M10 x 1 or G 1/4) | Nominal Flow 200 bar version | 70/110/150/180 Nm ³ /h (N ₂) |
| Diaphragm (regulator) | AISI 304 or Hastelloy® | | | Nominal Flow 300 bar version | 50/70/100/130 Nm ³ /h (N ₂) |
| Weight | ± 6,0 kg ± 13.0 lbs | | | Nominal Flow AD and PR4 | AD: 6,5 Nm ³ /h PR4: 10 Nm ³ /h |
| | | | | Oxygen use | OK with inlet pressure 200 and 300 bar |

FLOW CURVES



PRODUCT CONFIGURATOR

| Inlet pressure | | Outlet | | Body Material | | End Connections | | O-ring Material | Gauges | | Fix or adjustable Outlet Pressure | | Outlet valve | | Configuration | |
|----------------------|------------|--|--------------|---------------------------|-----------|-------------------------------------|----------|--------------------|---------------------------|----------|--------------------------------------|------------|----------------------------------|----------|---------------------------|----------|
| MOD300 | | 16 | | L | | G | | EPDM | 1 | | FX | | V | | A | |
| 200 bar 2900 psig | 200 | 10 bar 145 psig | 10 | Raw brass | LB | In: G 3/8 Out: G 1/2 Female | G | EPDM - Standard | With gauges - standard | 1 | With fixed P2 (standard) | FX | With outlet shut-off valve | V | Standard configuration | A |
| 300 bar 4350 psig | 300 | 16 bar 232 psig | 16 | Chrome plated brass | L | In: 3/8 NPT Out: G 1/2 Female | N | FPM | | | With adjustable P2 (handwheel) | ADJ | | | | |
| | | 30 bar 435 psig | 30 | | | | | | | | | | | | | |
| | | 30 bar 435 psig oxygen use | 30 OX | | | | | | | | | | | | | |
| | | 50 bar 725 psig | 50 | | | | | | | | | | | | | |
| | | 50 bar 725 psig oxygen use | 50 OX | | | | | | | | | | | | | |
| | | Acetylene special version (P2 = 1 bar) | AD | | | | | | | | | | | | | |
| | | Propane special version (P2 = 4 bar) | PR4 | | | | | | | | | | | | | |

SERIES CEN | SWITCHOVER BOARD

- Diaphragm single stage
- Balanced-Valve Technology
- Purity up to 5.5 (6.0 without the ball valve)
- Inlet pressure: 200 bar (2900 psig) or 300 bar (4350 psig)
- Outlet pressure: 10/16/30/50 bar 145/232/435/725 psig
- Acetylene version: P1 = 25 bar (362.5 psig) P2 = 1 bar (14.5 psig)
- Propane version: P1 = 25 bar (362.5 psig) P2 = 4 bar (58 psig)

- ★ 2 duoblocs
- ★ 2 x 3 inlets/1 outlet
- ★ Inlet/outlet pressure gauges
- ★ 1 relief valve
- ★ 2 purge outlets
- ★ O₂ application compatible

Special requirements on request

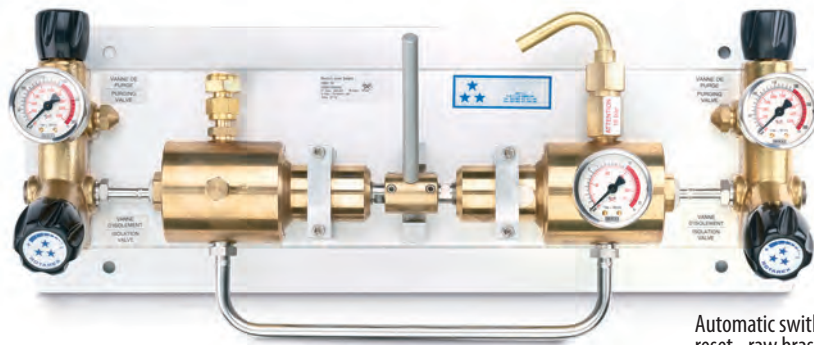
APPLICATIONS

- Suitable for the high flow supply of non-corrosive industrial gases when high flow are required like for plasma TIG and MIG cutting and welding applications.

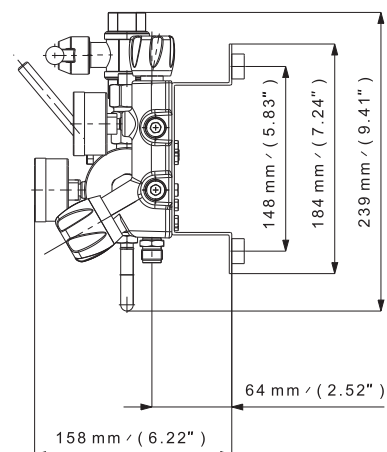
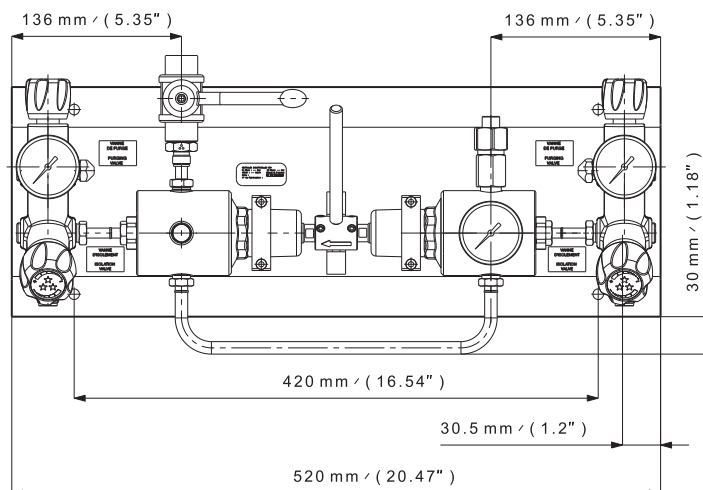
KEY FEATURES

- Possible to connect 4 gas cylinders without any extension and a gas for purging operation (up to 6 cylinders without any extension - without using the purge line).
- No risk that a source flows into the other one.
- Exists also in an AUTOMATIC version (with 10 and 16 bar outlet pressure). This automatic switchover board does not need to be reset to allow reversal of the cycle.
- Ready to install with all components pre-mounted on a board.
- Best-of-class pressure stability with Balanced-Valve Technology: the effect of inlet pressure fluctuations on outlet pressure are minimized. Balanced-Valve Technology enables the delivery of a very stable outlet pressure and flow.
- Reduced seat effort increases life of the regulator and reduces the ownership cost.

- Non-whipping filter on bottom inlet improves safety of the operator during the cylinder replacement.
- Can be equipped with an outlet ¼ turn shut-off valve (Multi-turn valve with 30 bar or 50 bar version for oxygen use).
- Can also be equipped with a collection tube on the relief valve and purge outlet.
- Using contact gauges, the switchover board can also be equipped with an alarm box to indicate the source status.
- Special carbon dioxide CO₂ version available (inlet pressure 200 bar or 300 bar with maximal flow = 80m³/h)
- Special FDA compatible version available on demand
- Acetylene version available: P1 = 25 bar/P2 = 1 bar/Q = 6,5 Nm³/h
- Used with acetylene, this product must be installed with a flash back arrestor complying with the standard EN 730 located downstream.
- Propane version also available: P1 = 25 bar/P2 = 4 bar/Q = 10 Nm³/h



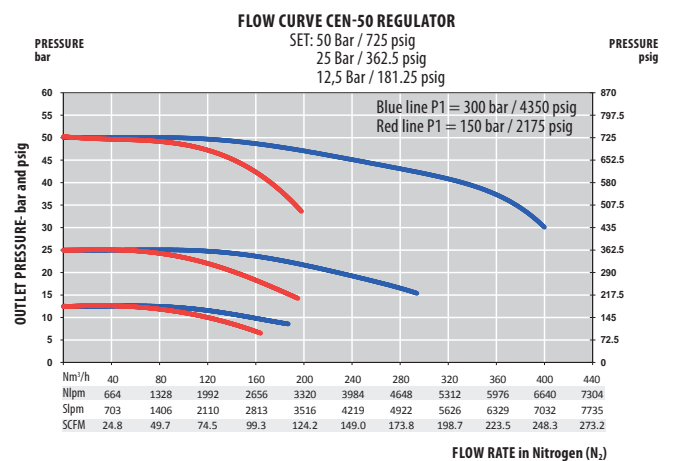
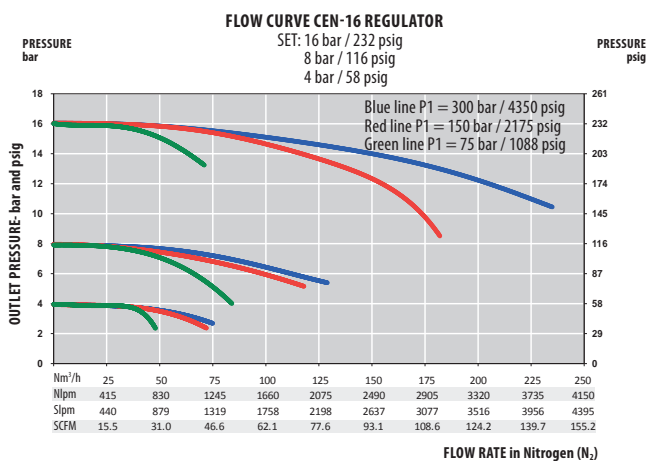
Automatic with manual reset - raw brass version



SPECIFICATIONS

| | | | | | |
|---------------------|--|--------------------------|--|-------------------------------------|--|
| Female ports | G 3/8 (inlet) - G 1/2 (outlet) or 3/8 NPT (inlet) - G 1/2 (outlet) | Leak rate | w/outlet valve: 1.10 ⁻⁴ mbar ℓ/s He w/o outlet valve: 1.10 ⁻⁸ mbar ℓ/s He | Inlet pressure | 200 bar / 300 bar 2900 psig / 4350 psig AD and PR4: 25 bar / 362.5 psig |
| Seat seal | PCTFE | Temperature range | -20°C to + 60°C -4°F to + 140°F | Outlet pressure | 10/16/30/50 bar 145/232/435/725 psig AD: 1 bar (14,5 psig) PR4: 4 bar (58 psig) |
| O-ring | EPDM - standard FPM | Gauges | High and low pressure (M10 x 1 or G 1/4) | Nominal Flow 200 bar version | 70/110/150/180 Nm ³ /h (N ₂) |
| Diaphragm | AISI 304 or Hastelloy® | | | Nominal Flow 300 bar version | 50/70/100/130 Nm ³ /h (N ₂) |
| Weight | ± 13,8 kg ± 27,0 lbs | | | Nominal Flow AD and PR4 | AD: 6,5 Nm ³ /h PR4: 10 Nm ³ /h |
| | | | | Oxygen use | OK with inlet pressure 200 and 300 bar |

FLOW CURVES



PRODUCT CONFIGURATOR

| | Inlet Pressure | Version type | Outlet Pressure | Body Material | End Connections | O-ring Material | Gauges | Outlet Valve | Configurations |
|------------|---------------------|------------------------------------|--|---------------------|------------------------------------|-----------------|---------------------------------|---------------------------------------|------------------------|
| CEN | 300 | SEMI | 16 | L | G | EPDM | 1 | V | A |
| | 200 bar / 2900 psig | Automatic switch with manual reset | 10 bar / 145 psig | Raw Brass | In: G 3/8 Out: G 1/2 - Female | EPDM - standard | with gauges - standard | with outlet shut-off valve (standard) | Standard configuration |
| | 300 bar / 4350 psig | | 16 bar / 232 psig | Chrome Plated Brass | In: 3/8 NPT Out: G 1/2 - Female | FPM | with HP inductive contact gauge | | |
| | | | 30 bar / 435 psig | | | | | | |
| | | | 30 OX bar (435 psig) oxygen use | | | | | | |
| | | | 50 bar / 725 psig | | | | | | |
| | | | 50 OX bar (725 psig) oxygen use | | | | | | |
| | | | Acetylene special version (P2 = 1 bar) | | | | | | |
| | | | Propane special version (P2 = 4 bar) | | | | | | |

BA 12 | ALARM BOX

- Signal sent automatically for notifying gas shortage. The message is visual and acoustic
- Optional EX protection (installation outside Ex-area)
- Devices available in three versions: For 2, 6 and 10 pressure gauge

ALARM BOXES

- ★ 2/6/10 contacts
- ★ Ex Version

Special requirements on request

KEY FEATURES

- Detecting a drop in pressure when the gas bottle is empty
- Messages are displayed visually by LEDs and audibly by buzzer
- Remote message with potential free contacts possible
- Inputs for magnetic spring contact and inductive contact pressure gauge are suitable. Only NC contacts for safety!
- Plastic case with IP65 seal for wall and panel mounting
- Cage clamp connection and pluggable
- Easy to configure when the device is closed

OPTIONS

- Intrinsically safe barrier for Ex environment (Isolating switching amplifier)
- 230V AC or 115V AC power supply

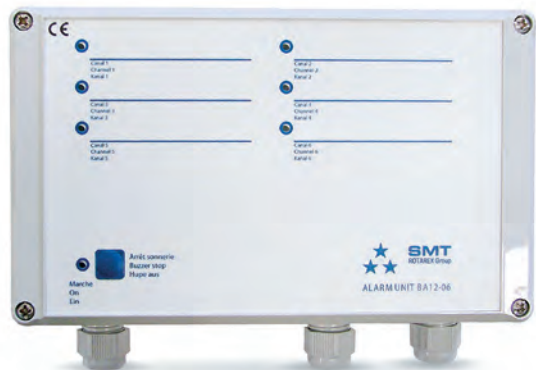
KEY ADVANTAGES

- Product flexibility : three versions available according to your process(2, 6 or 10 contacts)
- Potential-free output as change-over contact
- Group message and New value message
- Integrated LED allow visual information
- Integrated Buzzer for acoustic alarm

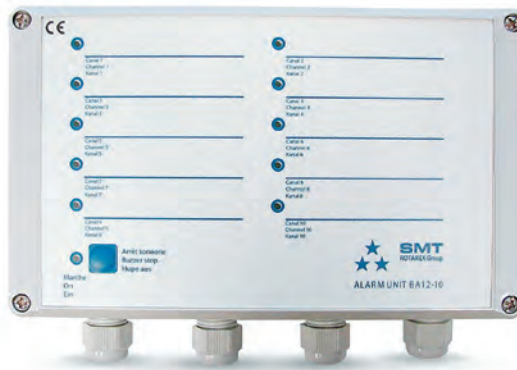
BA 12-02



BA 12-06



BA 12-10



SPECIFICATIONS

| | | | | | |
|----------------|--------------------------------|-----------------|---------------------------------|----------------------------------|----------------------------------|
| Voltage | 230 VAC/50 Hz 115 VAC/60 Hz | Type 1 | Potential free relay contact | Connection | 2-storey cage clamps |
| Power | < 3VA | Rating | 8A/230 VAC w/ resistive load | Terminal voltage | 10VDC/10mA (unstabilized) 0.9 |
| | | Function | Group Message | Material | ABS |
| | | Type 2 | For external horn or lamp | Protection | IP 65 |
| | | Rating | 8A/230 VAC w/ resistive load | Dimension (W x H x D) | 200 x 120 x 75 (mm) |
| | | | | Temperature range | 0° C to 55° C 32° F to 131° F |

PRODUCT CONFIGURATOR

| BA12 | Contacts | | Voltage | | Ex protection | |
|-------------|----------|---------|---------|---------|---------------|--|
| | | | | | | |
| 2 contacts | 02 | 230 VAC | 230 | Without | 0 | |
| 6 contacts | 06 | 115 VAC | 115 | With | EX | |
| 10 contacts | 10 | | | | | |

Others versions and possibilities available upon request

CEN EXT/TD EXT | EXTENSIONS

Left or right, 2 or 3 cylinders extension for supply board (CM or MOD series) and switchover board (TD or CEN series)

EXTENSIONS

- ★ For supply boards and switchover boards
- ★ 2 or 3 cylinders version

Special requirements on request

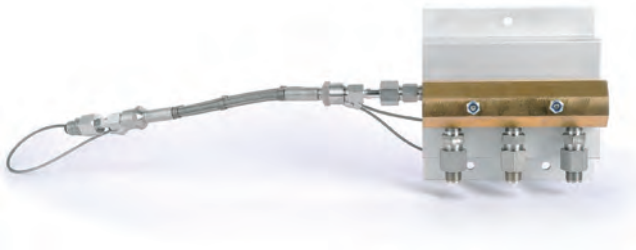
KEY FEATURES

- High pressure header to connect cylinder batteries available for various gases
- 2 or 3 cylinder version
- Standard inlet: G 3/8 - Male
- Standard outlet: G 3/8 - Female
- With plate

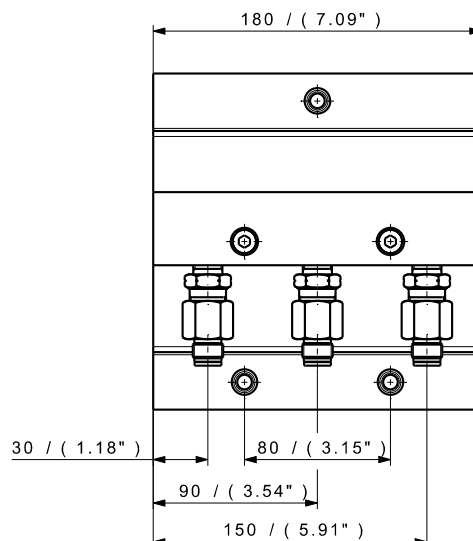
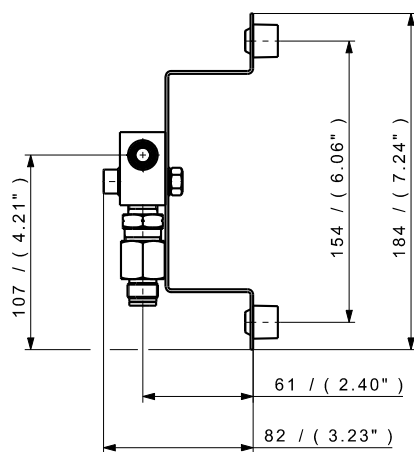
OPTIONS

- Flexible hose for connection with cylinders

CEN & MOD EXTENSION

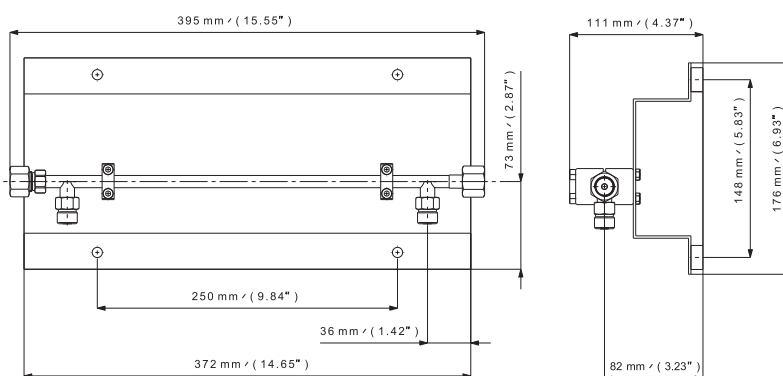


TD & CM SERIES EXTENSION

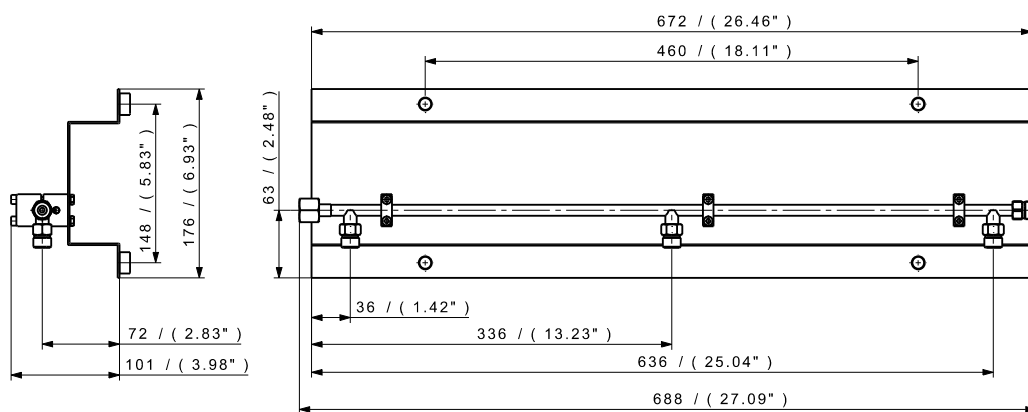


SPECIFICATIONS

| | | | | | |
|------------------|--|----------------------------|------------------------------------|------------------------|----------------|
| Material | Raw brass (CEN & MOD) or Stainless steel (TD & CM) | Temperature range | -20°C to + 60°C -4°F to + 140°F | Ports (outlet) | G 3/8 - Female |
| Gasket | PA 6.6 (CEN & MOD versions) | Inlet pressure max. | 300 bar 4350 psig | Shut-off valves | Option |
| O-ring | EPDM - standard FPM | Seat orifice size | Ø 4 mm (TDL version) | Oxygen use | OK |
| Plate | Option (CEN & MOD versions) Standard (TD & CM versions) | Connections | 2 or 3 cylinders | | |
| Leak rate | 10 ⁻⁸ mbar ℓ/s He | Ports (inlet) | G 3/8 - Male | | |



Extension for 2 cylinders



Extension for 3 cylinders

PRODUCT CONFIGURATOR

| EXTENSION | Product | | Number of cylinder | | Extension Side | | O-ring Material | End Connections | | Plate | |
|---------------------------|---------|---------------------------|--------------------|-----------------|----------------|-----------------|---|-----------------|------------|------------|---|
| | TD 200 | MOD | 3C | 2C | L | L | EPDM | G | G | With plate | P |
| MOD - supply board | MOD | Extension for 2 cylinders | 2C | Left extension | L | EPDM - standard | In: G 3/8 - Male Out: G 3/8 - Female | G | With plate | P | |
| CEN - Switchover board | CEN | Extension for 3 cylinders | 3C | Right extension | R | FPM | | | | | |
| CM 200 - supply board | CM 200 | | | | | | | | | | |
| TD 200 - Switchover board | TD 200 | | | | | | | | | | |
| CM 500 - supply board | CM 500 | | | | | | | | | | |
| TD 500 - Switchover board | TD 500 | | | | | | | | | | |

PIGTAILS

Straight or elbow pigtail ideally suited to connect CM series supply boards or TD series switchover boards to gas cylinders

PIGTAILS

- ★ high pressure
- ★ straight or elbow
- ★ stainless steel, electro polished

Special requirements on request

KEY FEATURES

- Cylinder connector according the following standard:
 - AFNOR, DIN, NEN, UNI . . .
 - Other connections: on demand
- Outlet connections: G 3/8 - Female
- Material: stainless steel, electro polished

OPTIONS

- Different outlet connection
- Shut off valve

STRAIGHT VERSION

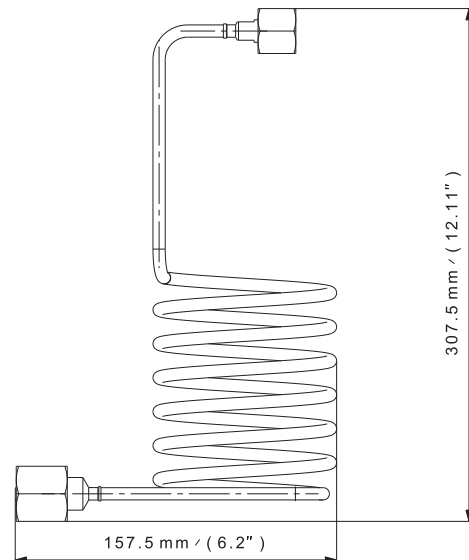


ELBOW VERSION



PRODUCT CONFIGURATOR

| PIGTAIL | STANDARD | | GAS | VERSION | |
|---------------------------------|----------|--------------------------|-----|------------------|---|
| | AFNOR | DIN | | S | E |
| French standard | AFNOR | Please indicate gas type | O2 | Straight version | S |
| German standard | DIN | | | Elbow version | E |
| British standard | BS | | | | |
| American standard | CGA | | | | |
| Italian standard | UNI | | | | |
| Dutch standard | NEN | | | | |
| G 3/8 - Female inlet connection | G | | | | |



FX 01 / FX 02 / FX 06 | FLEXIBLE HOSES

Flexible hoses for various pressures used for connecting supply boards, Switchover boards and other equipment at the source of gas supply

FLEXIBLE HOSES

- ★ high pressure
- ★ PTFE + stainless steel (FX 01)
- ★ stainless steel (FX 02 / FX 06)

Special requirements on request

KEY FEATURES

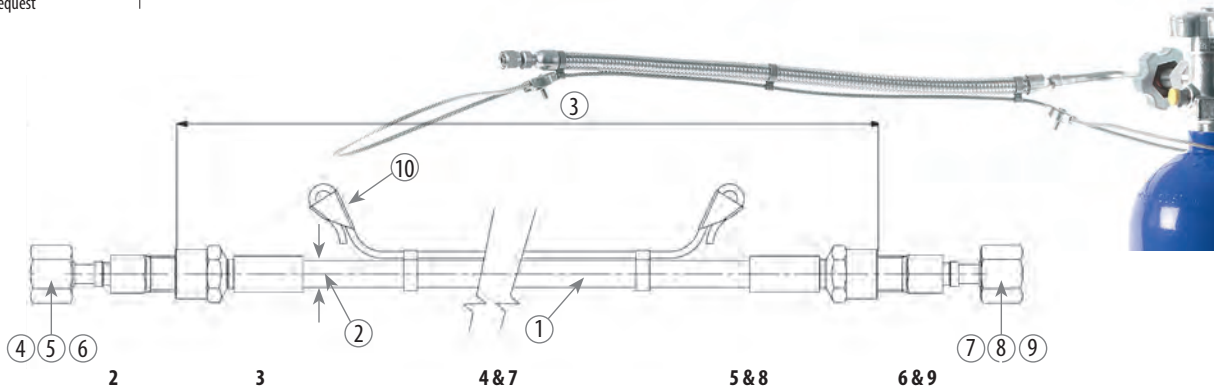
- Stainless steel hoses (FX 02 + FX 06)
- Stainless steel + PTFE hose (FX 01)
- Compatible with neutral and corrosive gases according to the hose type.
- The hose is composed of a stainless steel double braid, a stainless steel or PTFE inside, and end connections.
- The hose is standardly equipped with a stainless steel safety cable as a safety best practice.

OPTIONS

- Without safety cable version
- Elbow version

MAX. OPERATING PRESSURE

| Tube int. diam. | PTFE stainless steel | Stainless steel |
|-----------------|----------------------|-------------------|
| DN 6 | 300 bar 4531 psig | 360 bar 5221 psig |
| DN 10 | 200 bar 2900 psig | 240 bar 3480 psig |
| DN 16 | 125 bar 1812 psig | 85 bar 1232 psig |
| DN 20 | 100 bar 1450 psig | 80 bar 1160 psig |
| DN 25 | 80 bar 1160 psig | 70 bar 1015 psig |



| Type | Inner Diameter | Length | Type of connection | Size of connection or cylinder connection | Thread | Options |
|----------------------------|----------------|-------------|---------------------------------------|---|--------------------------------|------------------------------|
| FX01 | DN6 | 0350 | RB | 6 | N | C |
| PTFE/stainless steel 304 | 6 mm | 350 mm | tube fitting | 6 mm | NPT | Safety cable (recommended) |
| FX02 | DN10 | 0500 | UF | 8 | BSPP-RP | B |
| Stainless steel 316L / 304 | 10 mm | 500 mm | female pipe adapter | 8 mm | BSPP-RP | Elbow on cylinder side** |
| | 16 mm | 1000 mm | male pipe adapter | 10 mm | BSPT | Elbow on rotating nut side** |
| | 20 mm | 1500 mm | butt weld | 12 mm | 16 x 1,336 | Elbow on both sides** |
| | 25 mm | 2000 mm | tube adapter | 16 mm | G 3/8 - Female w/ rotating nut | No safety cable, no elbow |
| FX06 | DN1/4 | 2500 | RVF | 20 | | |
| Stainless steel*316L / 304 | 1/4"* | 2500 mm | female face seal fitting | 20 mm | | |
| | 3/8"* | 3000 mm | male face seal fitting | 25 mm | | |
| | | 12 inches | French Standard cylinder connection | NF 1/4 inch | 1/4" | |
| | | 24 inches | German cylinder connection | DIN 3/8 inch | 3/8" | |
| | | 36 inches | British Standard cylinder connection | BS 1/2 inch | 1/2" | |
| | | 48 inches | American Standard cylinder connection | CGA 3/4 inch | 3/4" | |
| | | 60 inches | Italian Standard cylinder connection | UNI 1 inch | 1" | |
| | | | 300 bar cylinder connection | FTSC cylinder connection | | |

*FX06 Hoses uniquely available with DN1/4 and DN3/8 and vice versa

**with safety cable

NB.: If a cylinder connection is required, please specify the connection and gas type.

EXAMPLE

REF.: FX01 \ DN06 \ 1000 \ ADB6 \ UM1/4 \ T \ C

is a hose with the following characteristics:

- PTFE tube, SS304L braid
- Length without adapters: 1000 mm
- Connections: 6 mm adapter for tube fitting on one side and 1/4" male BSPT on the other side
- Safety cable

EXAMPLE

REF.: FX02 \ DN06 \ 1000 \ BS / 3 \ G6 \ B

is a hose with the following characteristics:

- SS316L tube, SS304L braid
- Length without adapters: 1000 mm
- Connections: elbow on the side of cylinder for a BS341-3 No. 3 Cylinder and on the other side G3/8 - Female w/ rotating nut
- Safety cable

DUOBLOC | 3 INLETS/2 OUTLETS MONOBLOCK VALVES

Monoblock valves with 3 common inlets and 2 manual and multi-turn shut off valves for various pure gases

MONOBLOCK VALVES

- ★ 200 bar or 300 bar
- ★ Multi-turn
- ★ 3 inlets/2 outlets

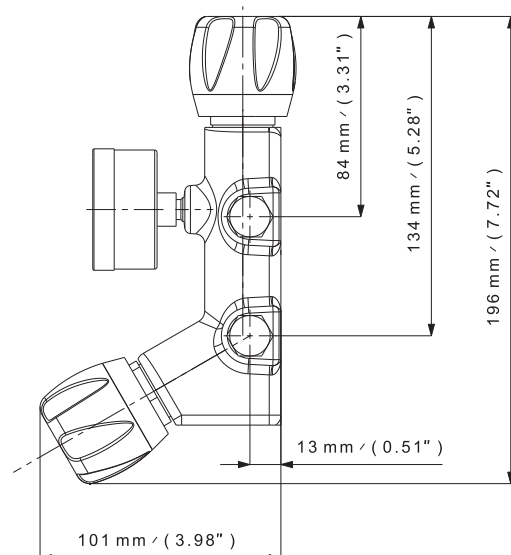
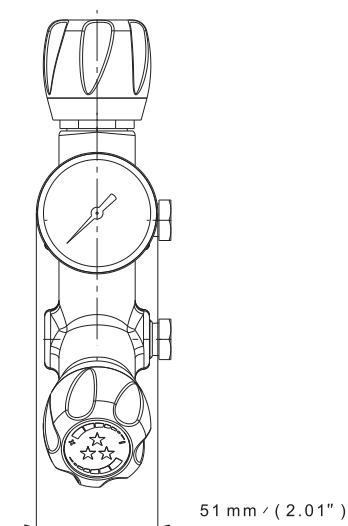
Special requirements on request

KEY FEATURES

- Purity up to 6.0
- Multi-turn version
- Raw brass, chrome plated brass or stainless steel
- 3 common inlets
- 2 manual shut off valves with non-rotating seat disc holder (brass version), with diaphragm (stainless steel version)
- 1 high pressure gauge
- Standard inlet/outlet: G 3/8 - Female
- Rear thread for panel mounting
- Stainless steel version only available in 200 bar

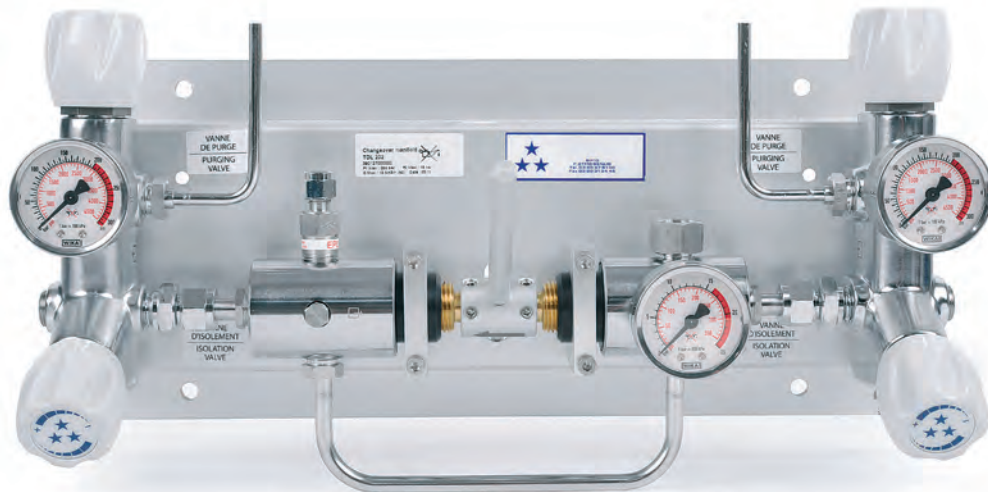
OPTIONS

- Various inlet/outlet connections including 3/8 NPT - Male, 1/4 NPT - Female
- NBR or FPM O-ring
- Many inlet/outlet fittings available



SPECIFICATIONS

| | | | | | |
|-----------------------|--|--------------------------|------------------------------------|------------------------------|--|
| Female ports | G 3/8, 1/4 NPT or 3/8 NPT (inlet/outlet) | Weight | ± 1,3 kg ± 2.87 lbs | Inlet pressure | 200 bar / 300 bar 2900 psig / 4350 psig |
| Seat seal | PA 6.6 (brass version) PCTFE (SS version) | Leak rate | 3.10 ⁻⁷ mbar ℓ/s He | Flow coefficient | Cv 0.208, Kv 0,18 (main in) Cv 0.220, Kv 0,19 (lateral) |
| O-ring | EPDM - standard FPM | Temperature range | -20°C to + 50°C -4°F to + 122°F | Multi-turn hand-wheel | OK |
| Bottom tapered | OK | | | Oxygen use | OK (special O ₂ version) |



Left inlets

Right inlets

PRODUCT CONFIGURATOR

| | Inlet Pressure | | Body Material | | End Connections | | Port Orientation | | O-ring Material | Version |
|----------------|-----------------------------------|------------|---------------------|-----------|--------------------------------|-----------|------------------|-----------|-----------------|----------------------|
| DUOBLOC | 200 | | L | | G | | LF | | EPDM | STD |
| | 200 bar 2900 psig | 200 | Raw Brass | LB | G 3/8 - Female | G | Left inlets | LF | EPDM - standard | Standard |
| | 300 bar (brass only) 4350 psig | 300 | Chrome Plated Brass | L | 1/4 NPT - Female (L&I version) | N | Right Inlets | R | FPM | Oxygen use |
| | | | Stainless steel | I | 3/8 NPT - Female (L&I version) | N3 | | | | O₂ |

SERIES VD | DIAPHRAGM LINE VALVE

- Low to high-pressure line valves for various pure gas
- High leak tightness through diaphragm sealing
- a consistent design for all versions

SHUT-OFF VALVE

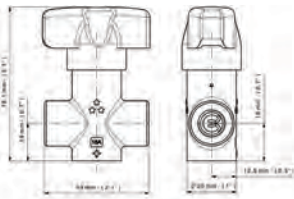
- ★ From 50 to 300 bar inlet pressure
- ★ Diaphragm seal
- ★ ¼ turn handwheel
- ★ O₂ compatible (only with Brass version)

KEY FEATURES

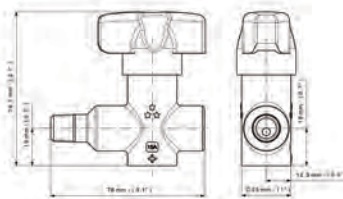
- For gas purity up to 6.0
- Hastelloy® diaphragm for tightness and gas compatibility
- ¼ turn ergonomic handwheel
- Chrome-plated brass or stainless steel
- 3 versions : 50, 200 and 300bar inlet working pressure
- 3 orientations : female-female, male-female, female-male
- Available with 1/4NPT or G3/8 connections
- With rear threads for panel mounting



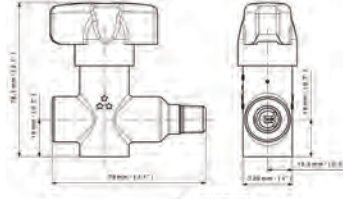
¼ NPT FF & G¾" FF



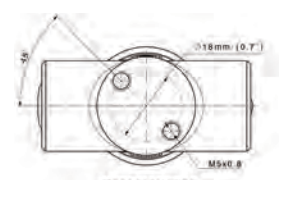
¼ NPT MF



¼ NPT FM



REAR MOUNTING



SPECIFICATIONS

| | | | | | |
|-----------------------|-----------------------------|--------------------------|------------------------------|------------------------------|---------------------------------------|
| Ports | ¼ NPT : FF, MF or FM G¾" | Weight | 310g | Inlet pressure | 50 / 200 / 300 bar |
| Seat seal | PCTFE | Leak rate | 10 ⁻⁸ mbar l/s He | Flow coefficient (Kv) | 0,17 Kv / 0,2 Cv |
| Diaphragm | Hastelloy® | Temperature range | -20° to +60 °C | Oxygen use | Ok up to 310 bar (brass version only) |
| Bottom tapered | OK 2x M5 at Ø18mm | Seat orifice size | Ø 4mm | | |

PRODUCT CONFIGURATOR

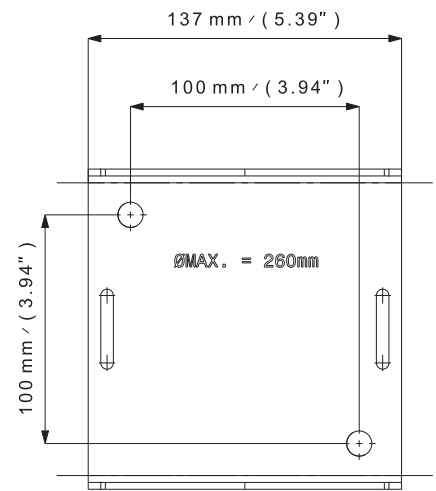
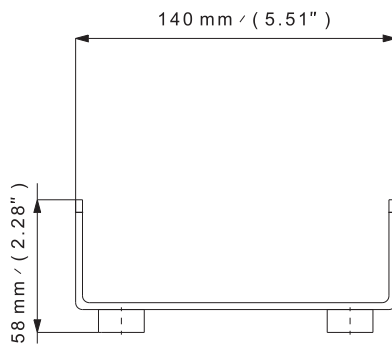
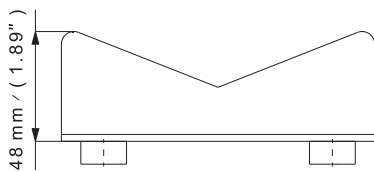
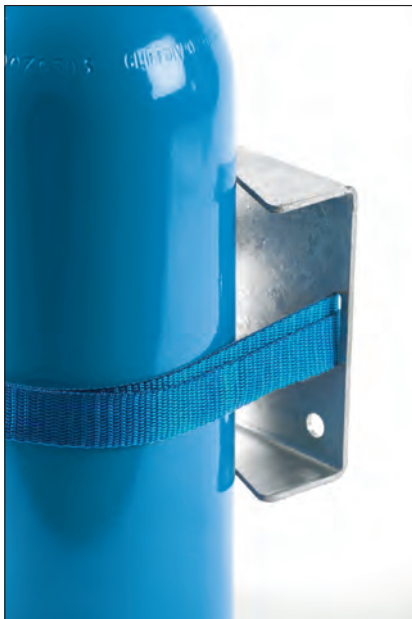
| V | D | Body Material | | Inlet Pressure | | Orientation | | Connection | | Handwheel | |
|---|---|---------------------|---|----------------|-----------|--------------------------------|---------|------------|---|-----------|----|
| | | B | S | 50 | 200 / 310 | FF | MF / FM | N | G | ¼T | ¼T |
| | | Chrome plated brass | B | 50 bar | 50 | Female-Female | FF | ¼NPT | N | ¼ turn | ¼T |
| | | Stainless steel | S | 200 bar | 200 | Male - Female (only with ¼NPT) | MF | G¾" | G | | |
| | | | | 310 bar | 310 | Female - Male (only with ¼NPT) | FM | | | | |

GAS CYLINDER HOLDER

Designed for the storage of one or large number of gas cylinders in an appropriate area

- ★ Can be fixed permanently to the wall
- ★ Securely holds cylinder in place
- ★ Allows permanent designation of appropriate cylinder storage area
- ★ Delivered with a fixing belt
- ★ Many cylinder holders can be used together, side by side
- ★ Part number: 202500000007

Special requirements on request



Rear view

GAS COMPATIBILITY

KEY TO GAS COMPATIBILITY:

Locate your gas type in the below chart and see the gas compatibility of each standard material type. Only select materials that are compatible with your gas type.

GAS COMPATIBILITY WITH MATERIALS (AT 20°C ROOM TEMPERATURE)

| TITRE | | GAS | B or SS 316L | PA 6.6 | PTFE | PCTFE | NBR | FPM (VITON®) | EPDM |
|----------------------|--|-------------|--------------|--------|---|-------|-----|--------------|------|
| Acetylene | <small>Special requirements on request</small> | C_2H_2 | B | | OK | OK | | | OK |
| Argon | | Ar | B | OK | OK | OK | OK | OK | OK |
| Butane | | C_4H_{10} | B | OK | OK | OK | OK | OK | |
| Carbon dioxide | | CO_2 | B | OK | OK | OK | | | OK |
| Carbon monoxide | | CO | B | OK | OK | OK | OK | | OK |
| Ethane | | C_2H_6 | B | OK | OK | OK | OK | OK | |
| Helium | | He | B | OK | | OK | OK | OK | OK |
| Hydrogen | | H_2 | B | OK | | OK | OK | OK | OK |
| Krypton | | Kr | B | OK | OK | OK | OK | OK | |
| Methane | | CH_4 | B | OK | OK | OK | OK | OK | |
| Nitric Oxide | | NO | SS 316L | | Please consult - depends on proportion of NO in the mixture | | | | |
| Nitrogen | | N_2 | B | OK | OK | OK | OK | OK | OK |
| Nitrous Oxide | | N_2O | SS 316L | | Please consult - depends on proportion of N_2O in the mixture | | | | |
| Oxygen | | O_2 | B | | | | | OK | OK |
| Propane | | C_3H_8 | B | OK | OK | OK | OK | | |
| Silane | | SiH_4 | SS 316L | | OK | OK | | OK | |
| Ammonia | | NH_3 | SS 316L | OK | OK | OK | | | OK |
| Ethylene | | C_2H_4 | B | OK | OK | OK | | | |
| Hydrogen Sulfide | | H_2S | SS 316L | OK | OK | OK | | OK | OK |
| Sulphur Dioxide | | SO_2 | SS 316L | | OK | OK | | | OK |
| Sulphur Hexafluoride | | SF_6 | B | OK | OK | OK | OK | OK | OK |

VITON® is a registered trademark of the DUPONT NEMOUR Company
Hastelloy® is a registered trademark of HAYNES INTERNATIONAL Inc.

CONVERSION CHARTS

FLOW CONVERSION

| | m ³ /h | l/h | foot ³ /min | l/s | cm ³ /s |
|------------------------|------------------------|-------------------------|--------------------------|--------------------------|--------------------|
| m ³ /h | 1 | 1 x 10 ³ | 0.589 | 0,2778 | 277,78 |
| l/h | 1 x 10 ⁻³ | 1 | 5.885 x 10 ⁻⁴ | 2,778 x 10 ⁻⁴ | 0,2778 |
| foot ³ /min | 1,69 | 1,699 x 10 ³ | 1 | 0,4719 | 471,95 |
| l/s | 3,6 | 3,6 x 10 ³ | 2.119 | 1 | 10 ³ |
| cm ³ /s | 3,6 x 10 ⁻³ | 3,6 | 2.119 x 10 ⁻³ | 10 ⁻³ | 1 |

PRESSURE CONVERSION

| | bar | mbar | kPa | MPa | atm | psig |
|------|-------------------------|-----------------|-----------------|--------------------------|--------------------------|-------------------------|
| bar | 1 | 10 ³ | 100 | 0,1 | 0,987 | 14.5 |
| mbar | 10 ⁻³ | 1 | 0,1 | 10 ⁻⁴ | 9,869 x 10 ⁻⁴ | 14.5 x 10 ⁻³ |
| kPa | 10 ⁻² | 10 | 1 | 10 ⁻³ | 9,869 x 10 ⁻³ | 0.145 |
| MPa | 10 | 10 ⁴ | 10 ³ | 1 | 9,869 | 145 |
| atm | 1,013 | 1013 | 101,3 | 1,013 x 10 ⁻¹ | 1 | 14.69 |
| psig | 6,89 x 10 ⁻² | 68,9 | 6,89 | 6,89 x 10 ⁻³ | 6,8 x 10 ⁻² | 1 |

LEAK RATE

| | Atm.cc/sec | mbar.l/sec | Atm.mm ³ /sec | Atm.cc/min | Atm.L/min | Atm.m ³ /min | Atm.cu.ft/yr | torr.l/sec |
|--------------------------|------------|------------|--------------------------|------------|-----------|-------------------------|--------------|------------|
| Atm.cc/sec | 1 | 1.013 | 1000 | 60 | 0.06 | 6.00E-05 | 1116 | 0.759 |
| mbar.l/sec | 0.987 | 1 | 987 | 59.23 | 0.059 | 5.90E-05 | 1101 | 0.75 |
| Atm.mm ³ /sec | 0.001 | 0.001 | 1 | 0.06 | 6.00E-05 | 6.00E-08 | 1.116 | 0.0007 |
| Atm.cc/min | 0.0167 | 0.017 | 16.67 | 1 | 0.001 | 1.00E-06 | 18.6 | 0.012 |
| Litre/min | 16.67 | 16.88 | 16667 | 1000 | 1 | 0.001 | 18601 | 12.67 |
| Atm.m ³ /min | 16667 | 16883 | 16666667 | 1000000 | 1000 | 1 | 18601190 | 12664 |
| cu ft/yr | 0.0009 | 0.0009 | 0.896 | 0.054 | 5.37E-05 | 5.37E-08 | 1 | 0.0007 |
| torr.l/sec | 1.316 | 1.33 | 1316 | 78.96 | 0.0789 | 7.89E-05 | 1468 | 1 |

TEMPERATURE

| C° | F° | K° | R° |
|------|------|------|------|
| -20 | -4 | 253 | 456 |
| -10 | 14 | 263 | 474 |
| 0 | 32 | 273 | 492 |
| 10 | 50 | 283 | 510 |
| 20 | 68 | 293 | 528 |
| 30 | 86 | 303 | 546 |
| 40 | 104 | 313 | 564 |
| 50 | 122 | 323 | 582 |
| 60 | 140 | 333 | 600 |
| 70 | 158 | 343 | 618 |
| 80 | 176 | 353 | 636 |
| 90 | 194 | 363 | 654 |
| 100 | 212 | 373 | 672 |
| 200 | 392 | 473 | 852 |
| 300 | 572 | 573 | 1032 |
| 400 | 752 | 673 | 1212 |
| 500 | 932 | 773 | 1392 |
| 600 | 1112 | 873 | 1572 |
| 700 | 1292 | 973 | 1752 |
| 800 | 1472 | 1073 | 1932 |
| 900 | 1652 | 1173 | 2112 |
| 1000 | 1832 | 1273 | 2292 |

DIMENSION

| metric | inches | inch fractional | inch decimal | metric (mm) |
|--------|--------|-----------------|--------------|-------------|
| 3 | 0.135 | 1/16" | 0.063 | 1,59 |
| 6 | 0.270 | 1/8" | 0.125 | 3,18 |
| 8 | 0.360 | 3/16" | 0.188 | 4,76 |
| 10 | 0.450 | 1/4" | 0.250 | 6,35 |
| 12 | 0.540 | 5/16" | 0.313 | 7,94 |
| 14 | 0.630 | 3/8" | 0.375 | 9,53 |
| 16 | 0.720 | 1/2" | 0.500 | 12,70 |
| 18 | 0.810 | 7/16" | 0.438 | 11,11 |
| 20 | 0.900 | 5/8" | 0.625 | 15,88 |
| 22 | 0.990 | 3/4" | 0.750 | 19,05 |
| 25 | 1.125 | 7/8" | 0.875 | 22,23 |
| | | 1" | 1.000 | 25,40 |

A FULL LINE OF GAS CONTROL SOLUTIONS



COMPLETE SOLUTIONS FROM SOURCE TO PROCESS.

ROTAREX is helping engineers worldwide to get better gas results: from ultra high purity production and medical care facilities to industrial and LPG applications, as well as alternative energy vehicles, fire suppression, diving, aerospace, cryogenics, laboratory, petro-chemical and welding. ROTAREX applies almost 100 years of know-how and experience to custom design, develop and manufacture the high performance valves, regulators and fittings to suit your needs, all in one hand. Discover the difference ROTAREX can make in your world.

CYLINDER VALVES

EQUIPMENT

FIRETEC

AUTOMOTIVE

LPG/SRG

MEDITEC



ULTRA HIGH PURITY VALVES



MEDICAL VALVES & EQUIPMENT



INDUSTRIAL CYLINDER VALVES



REFRIGERANT CYLINDER VALVES



PRESSURE REGULATORS



SUPPLY & SWITCH OVER BOARDS



LINE VALVES



FITTINGS & ADAPTORS



**FIXED INSTALLATION
FIRE SYSTEMS**



**OBJECT FIRE SUPPRESSION
SYSTEMS**



**AUTOMOTIVE VALVES
& REGULATORS**



WATER CARBONATION



**LPG CYLINDER VALVES
& REGULATORS**



**DIGITAL MEASUREMENT
SYSTEMS**



PLASTIC INJECTION MOULDING



WORLDWIDE HEADQUARTERS

ROTAREX S.A.
24, rue de Diekirch,
L-7440 Lintgen
Luxembourg
Tel.: +352 32 78 32-1
Fax: +352 32 78 32-854
E-mail: info@rotarex.com



REGIONAL / COUNTRY HEADQUARTERS

NORTH AMERICA

USA
Rotarex North America
Hackettstown
E-mail: northamerica@rotarex.com

SOUTH AMERICA

BRASIL
Rotarex Brazil Ltda
São Paulo
E-mail: brasil@rotarex.com

CENTRAL AMERICA

MEXICO
Rotarex México
Mexico City
E-mail: mexico@rotarex.com

EUROPE

EUROPEAN HEADQUARTERS
Rotarex S.A. Luxembourg
24, rue de Diekirch,
L-7440 Lintgen, Luxembourg
Tel.: +352 32 78 32-1
E-mail: salesequipment@rotarex.com

UNITED KINGDOM
Rotarex (UK) Ltd.
Norwich
E-mail: uk@rotarex.com

ITALY
Rotarex Italia S.r.l.
Ciliverghe di Mazzano
E-mail: italia@rotarex.com

SPAIN
Rotarex Spain
Madrid
E-mail: spain@rotarex.com

POLAND
Rotarex Polska
Brzeg
E-mail: polska@rotarex.com

ASIA - PACIFIC

SINGAPORE
Rotarex Fareast Pte Ltd
Singapore
E-mail: fareast@rotarex.com

CHINA
Rotarex Star
Shanghai
E-mail: china@rotarex.com

JAPAN
Rotarex Japan Ltd
Tokyo
E-mail: japan@rotarex.com

INDIA
Rotarex ENGG. PVT. LTD.
Mumbai
E-mail: india@rotarex.com

THAILAND
Rotarex (Thailand) Co Ltd.
Pakkret
E-mail: thailand@rotarex.com

TAIWAN
Rotarex Taiwan
New Taipei City
E-mail: taiwan@rotarex.com

MIDDLE EAST / AFRICA

MIDDLE EAST
Rotarex Middle East
Dubai
E-mail: middle-east@rotarex.com



For more contact details go to
www.rotarex.com/locations